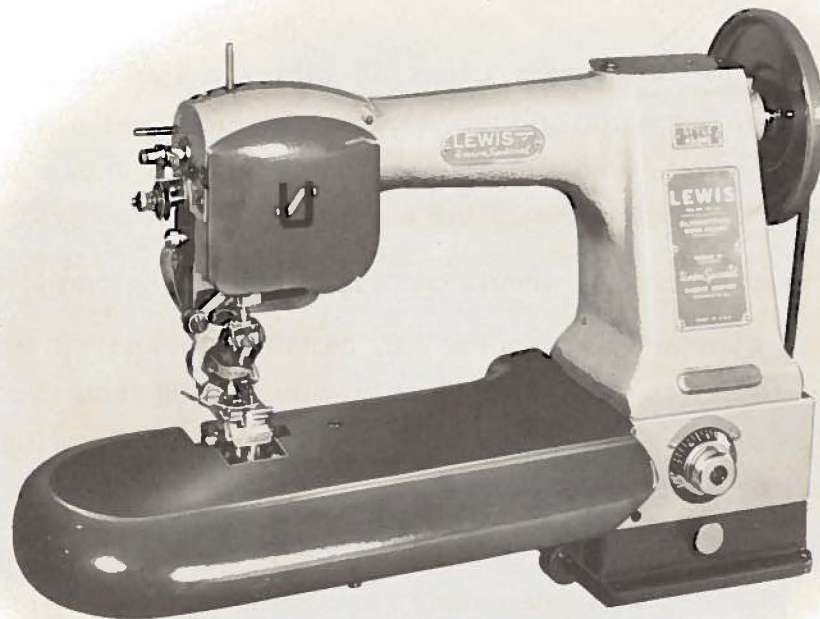


FINEST QUALITY

Union Special[®]

LEWIS • COLUMBIA

**INDUSTRIAL
SEWING
MACHINES**



STYLES

43-240

43-250

43-270

CATALOG

No.

194-13

CLASS 43

CHAINSTITCH BLINDSTITCH MACHINES

Union Special **MACHINE COMPANY**

CHICAGO

From the library of: Superior Sewing Machine & Supply LLC

FOREWORD

The Union Special Lewis Class 43 offers a line of single thread chainstitch blindstitch machines with top and bottom feeds for coat work and work on furs. It also offers a bottom feed only machine for making mock full fashion marks on sweaters, knit dresses and similar garments.

All parts are made by precision methods insuring complete interchangeability.

It is our constant aim to furnish carefully prepared information which will enable the customer to secure all possible advantages from the use of Union Specials. The following pages contain valuable operating and adjusting data, and illustrate and describe the parts for Class 43.

Union Special representatives will be found in all manufacturing centers to cooperate in planning and estimating requirements.

Union Special MACHINE COMPANY

Engineering Department

Catalog No. 194-13

INSTRUCTIONS
FOR
ADJUSTING AND OPERATING

LIST OF PARTS

Styles

43-240 43-250 43-270

First Edition

Copyright 1964
by
Union Special Machine Co.
Rights Reserved in All Countries

Union Special
MACHINE COMPANY
INDUSTRIAL SEWING MACHINES
CHICAGO

Printed in U. S. A.

IDENTIFICATION OF MACHINES

Each Union Special Lewis machine carries a style number, which, in this class of machines, is stamped in the style plate on the front of the column. The serial number of each machine is stamped in the lug also, on the front of the column.

APPLICATION OF CATALOG

This catalog applies specifically to the styles of machines listed herein. All references to direction, such as right and left, forward and back, etc., are taken from the operators position while seated at the machine.

The operating direction of the handwheel is away from the operator.

DESCRIPTION OF MACHINES

High Production, Single Thread, Single Curved Needle, Chainstitch, Blindstitch, Cylinder Base Machine. Non-Skip 1 to 1 Stitch. Needle Travels Left to Right and Penetrates at an Angle of 90 Degrees to Line of Feed. Calibrated Penetration Adjustment. Knee Lifter for Inserting and Removing Work. Work Support Plate. Maximum Work Space to Right of Needle is 9 Inches.

43-240 For blindstitch felling bridle and edge tape on men's medium weight suit coats. Also for padding collars and lapels, and for tacking the canvas to facing on seamed edge coats of light, medium and heavy materials. Upper and lower feeds give positive control of all plies for quality work. Seam specification 104-SSm-1. Type 29-123 1/2 needle (size .035).

43-250 Similar to Style 43-240 except equipped for fur work. Presser foot regulated depth of penetration from skin side. Skins are stitched without distorting or cutting the hairs of the finest furs. Upper and lower feed adjustments allow perfect feeding at lining and skins, which prevents unnecessary fullness. Seam specification 104-SSm-1. Type 29-123 1/2 needle (size .035).

43-270 For making mock full fashion marks on sweaters, knit dresses and knitted garments of light, medium and heavy materials. Every stitch evenly spaced for quality work. Equipped with lower feed only. Seam specification 104-SSm-1 modified. Type 29-134 1/2 needle (size .045).

NEEDLES

Use only genuine Union Special Lewis needles. They are stamped with the word "LEWIS" on the shank.

The type number of the needles recommended for each style of machine covered by this catalog are given in the machine style description. Needles for the Lewis Class 43 machines are available in all the required sizes in both uniform blade and ball eye.

The following types and sizes are available:

| <u>Uniform Blade</u> | <u>Blade Dia.</u> | <u>Ball Eye</u> | <u>Blade Dia.</u> |
|--------------------------------------|-----------------------|---------------------|-----------------------|
| 29-123 | .030" | 29-132 1/2 | .025" |
| 29-123 1/2 | .035" | 29-133 | .030" |
| 29-124 | .040" | 29-133 1/2 | .035" |
| 29-124 1/2 | .045" | 29-134 | .040" |
| | | 29-134 1/2 | .045" |
| | | 29-135 1/2 | .055" |
| <u>Uniform Blade Scarfed</u> | <u>Blade Dia.</u> | | |
| 29-34 | .040" | | |

Selection of the proper needle size is determined by size of thread used and weight of material being sewn. Thread or yarn should pass freely through needle eye in order to produce a good stitch formation.

When sewing, immediately discard any needle which may have a hooked or blunt point.

To have needle orders promptly and accurately filled, an empty container, a sample needle, or the Type number should be forwarded. A complete order would read: "100 Needles, Type 29-123 1/2".

ORDERING REPAIR PARTS

ILLUSTRATIONS

This catalog has been arranged to simplify ordering repair parts. Exploded views of various sections of the mechanism are shown so that the parts may be seen in their actual position in the machine. On the page opposite the illustration will be found a listing of the parts with their part numbers, description and the number of pieces required in the particular view being shown.

Numbers in the first column are reference numbers only, and merely indicate the position of that part in the illustration. Reference numbers should never be used in ordering parts. Always use the part number listed in the second column.

Component parts of sub-assemblies which can be furnished for repairs are indicated by indenting their descriptions under the description of the main sub-assembly. Example:

| | | |
|---------|--|---|
| 4115-72 | Feed and Plunger Bearing Block, complete ----- | 1 |
| 1307 L | Plunger Barrel----- | 1 |
| 121-3 | Plunger Frame----- | 1 |

It will be noted in the above example that the plunger bearing block is not listed. The reason is that replacement of this part individually is not recommended, so the complete sub-assembly should be ordered.

At the back of the book will be found a numerical index of all the parts shown in this book. This will facilitate locating the illustration and description when only the part number is known.

IDENTIFYING PARTS

Where the construction permits, each part is stamped with its part number. Part numbers represent the same part, regardless of catalog in which they appear.

USE GENUINE NEEDLES AND REPAIR PARTS

Success in the operation of these machines can be secured only with genuine Union Special Lewis Needles and Repair Parts as furnished by the Union Special Machine Company, its subsidiaries and authorized distributors. They are designed according to the most approved scientific principles, and are made with utmost precision. Maximum efficiency and durability are assured.

Genuine needles are packaged with labels marked LEWIS *Union Special*. This trade mark is your guarantee of the highest quality in materials and workmanship.

TERMS

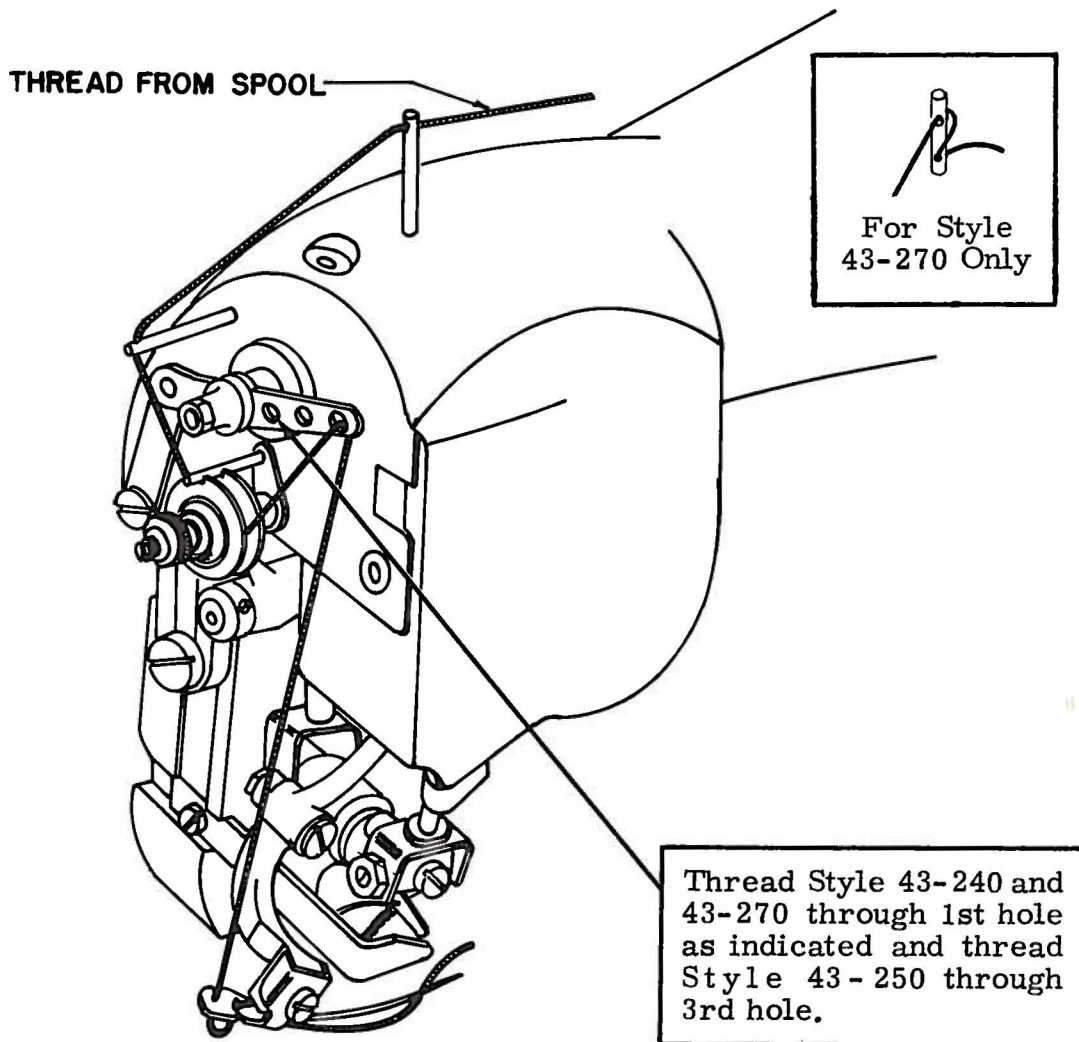
Prices are net cash and subject to change without notice. All shipments are forwarded f. o. b. shipping point. Parcel Post shipments are insured unless otherwise directed. A charge is made to cover postage and insurance.

SPEED

The recommended speed of these machines is 1600 R. P. M.

THREADING

Thread machines in accordance with threading diagram, Fig. 1, below.



OILING

These machines should be oiled twice daily, before the morning and afternoon starts. Use a good grade of straight mineral oil of a Saybolt viscosity of 200 to 250 seconds at 100° Fahrenheit.

Most of the oiling places on these machines are readily identifiable because of the fact they are painted red. However, reference to the oiling diagram (Fig. 2) will be beneficial.

Please note that it will be necessary to open head cover or remove cylinder end cover, and to tilt the machine back from the sub-base to reach some of the oiling places.

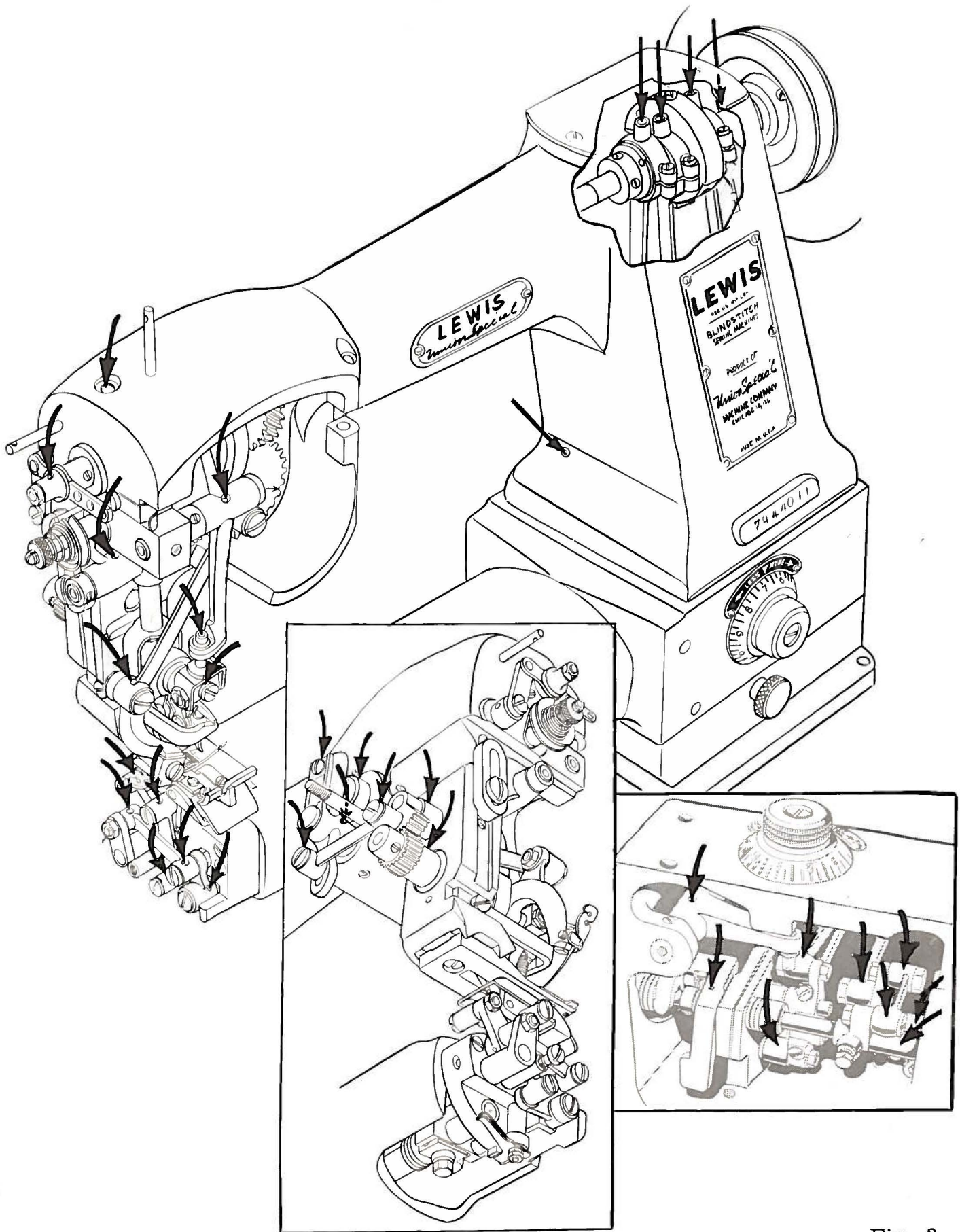


Fig. 2

ADJUSTING INSTRUCTIONS

REMOVING EXCESS PLAY IN CONNECTING RODS

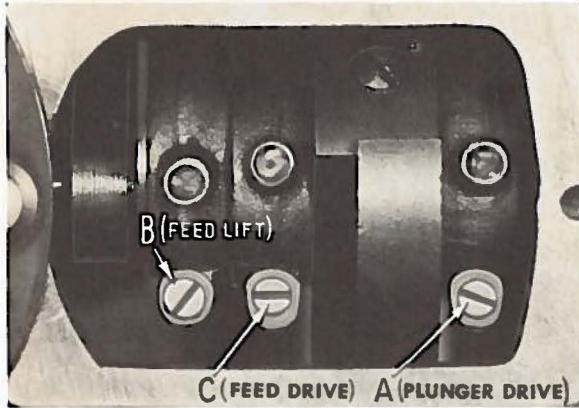


Fig. 3

the arm cover plate back into position.

TIMING NEEDLE WITH PLUNGER

The main shaft drive gear (A, Fig. 4) and the looper cam (B) are spotted on the main shaft. Therefore, the arrow on the hub of the looper cam and on the right side of the drive gear should be in line. The timing is correct if the arrow on gear (C) points to the line on the left side of drive gear (A), or as the handwheel is turned in the operating direction this same arrow is in line with the arrow on the right side of gear (A). To check for proper timing, open front cover and turn handwheel in operating direction until the spot screw (the second screw around as the handwheel is

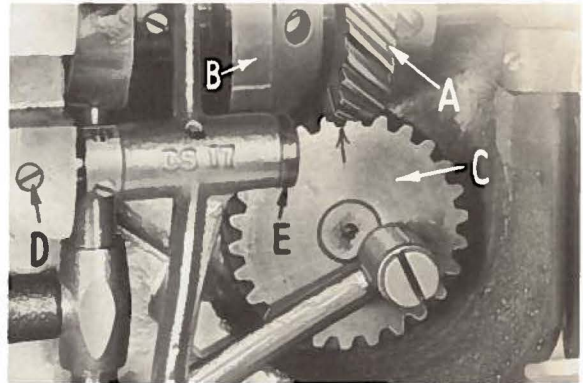


Fig. 4

turned in operating direction) in the looper cam (B, Fig. 5) is toward the front. The arrow on the cam will then be in a horizontal position pointing to the right. At this time the arrow on gear (C) should coincide with the arrow on the cam at a position pointing slightly above horizontal as in Fig. 5. If adjustment is necessary, loosen the two screws in drive gear (A) and slide gear to the right until the gears no longer mesh. Turn handwheel in operating direction until the spot in looper cam is to the front. Do not turn the handwheel after the spot is in this position. Now, turn gear (C) until the arrow points to the right and is slightly above a horizontal position. Slide drive gear (A) to the left so the gear teeth mesh and the spot screw lines up with the spot on the main shaft. Retighten the screws. Now, check alignment of the arrows on gears (A and C, Fig. 4). If the arrows do not line up, slide gear (A) to the right once again and turn gear (C) to the left or right as required. Reposition gear (A) so spot screw lines up with the spot on the main shaft and again check the arrow alignment. Repeat this procedure until arrows line up and the spot screw is in line with spot on main shaft, then tighten spot screw and set the screw in drive gear (A).

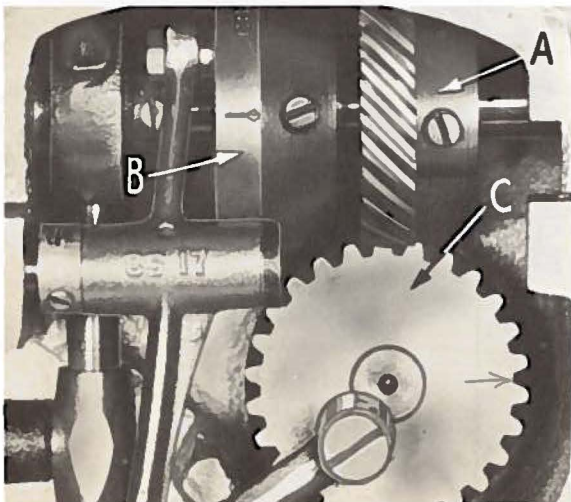


Fig. 5

ADJUSTING INSTRUCTIONS (Continued)

It may also be necessary to remove any play or bind that may have developed between gears (A and C, Fig. 5) as a result of normal wear or replacement. To remove any bind or excess play, loosen set screw (A, Fig. 6) and turn bushing (B) in the required direction by inserting a screwdriver in the oil hole on top of the shaft. Tighten screw. Turn the handwheel in operating direction to be sure the machine does not bind.

SETTING THE NEEDLE STROKE

Normal needle stroke setting is correct when the point protrudes approximately $\frac{1}{8}$ inch beyond the right edge of presser foot at the end of its right stroke (Fig. 7). Increase to approximately $\frac{5}{32}$ inch if a larger needle loop is required. If adjustment of the needle stroke is necessary, loosen the lock-nut (A, Fig. 7) and turn screw (B) to the right or left as required. Tighten the nut.

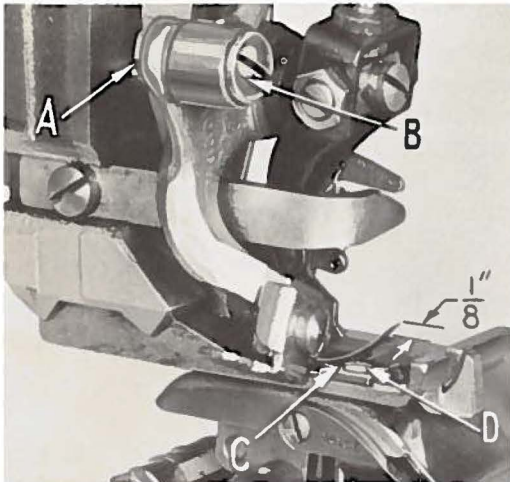


Fig. 7

looper should be approximately $\frac{3}{64}$ inch from the left side of the eye of the needle when the looper point is even with the center of the needle. When the looper is on the left side of its stroke and moving to the back, the point of the needle, moving to the right, should just clear the top of the looper frame.

Before making any adjustment to the looper spreader mechanism, check for excessive play between the looper frame (A, Fig. 8) and the bearing block (B). If excessive play is encountered, it can be removed by loosening nuts (C) and positioning the cone screws (D) accordingly.

To adjust the looper spreader mechanism to the right or left, loosen the set screw (D, Fig. 4) and slide the stud (E) in the required direction. Retighten the screw (D). To adjust the looper spreader

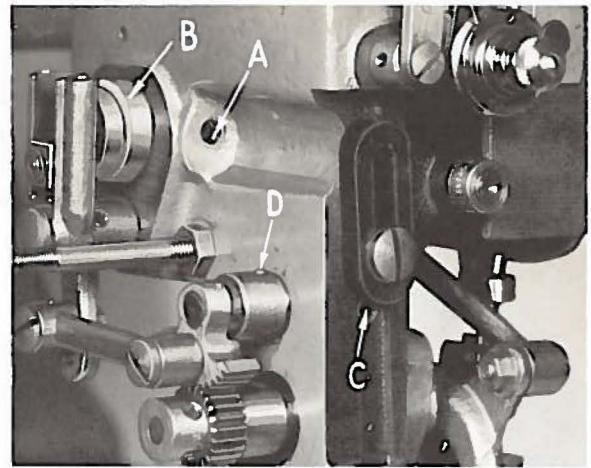


Fig. 6

The needle should travel in the center of the groove in the needle guide (C, Fig. 7). If the needle is deflected from front to the back in its travel, loosen screw (D) holding the needle guide and allow needle to position the guide. Retighten the screw.

ADJUSTING THE LOOPER SPREADER

When properly adjusted, the points of the looper spreader and the looper frame must move freely without any interference with the presser foot, needle or needle carrier. When the needle is receding from the right side of its stroke, and the looper is on the right side of its stroke, the looper should just clear the top of the needle. The right side of the

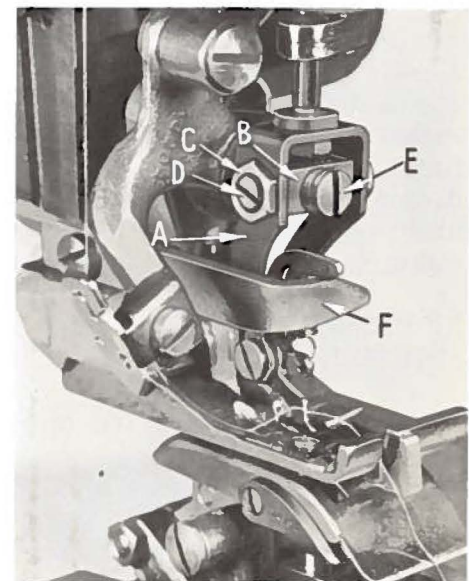


Fig. 8

ADJUSTING INSTRUCTIONS (Continued)

mechanism up or down on both sides of its stroke remove gear cover at back, loosen nut on screw (A, Fig. 9) and slide the link (B) up to raise looper or down to lower it. If the looper spreader mechanism is too close to the needle on one side and too far away on the other loosen the two set screws in gear (C), insert a screwdriver in screw (E, Fig. 8) and turn in the required direction. Turning the screw in a clockwise direction lowers looper on right side of stroke and raises looper on the left side of stroke. Turning screw in a counterclockwise direction acts the reverse. Tighten the set screws.

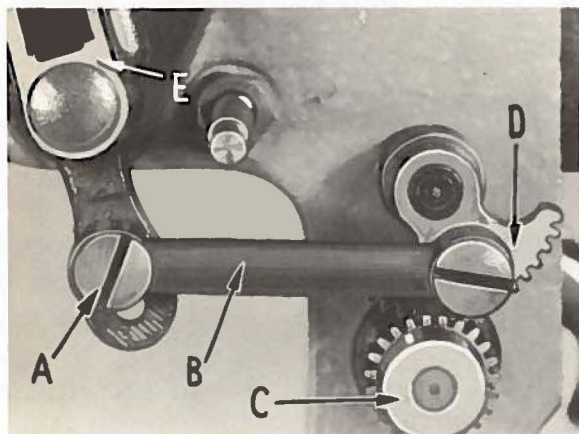


Fig. 9

Turn handwheel slowly in the operating direction to check for excess play or bind and retighten the screw (C).

Turn handwheel slowly in operating direction to check the preceding adjustments to make sure there is no interference between the looper spreader mechanism and the other parts. Repeat the adjustments if necessary.

SETTING THE LOOPER OPENER

Looper opener (F, Fig. 8) should be set so that the bottom of the looper spreader point clears the needle by approximately $\frac{1}{32}$ inch when the looper spreader mechanism is in the left hand position and moving to the back. To make this adjustment, remove looper opener from machine and bend in the required direction. Check for clearance between the opener and the looper frame (A). Bend the looper opener as required. Assemble the opener to the machine.

SETTING THE FEED PLATE HEIGHT AND PRESSURE

Turn handwheel in operating direction until the feed point has reached the lowest point of its travel. At this position there should be no play between the feed plate and the presser foot.

To make this adjustment, loosen the screw (A, Fig. 10) and, with the right hand, hold the feed plate against the presser foot. Then, by holding feed link (B) with the left hand, push down feed point until there is $\frac{1}{32}$ inch clearance between the block (C) and the plunger bearing block (D). Then, retighten screw (A).

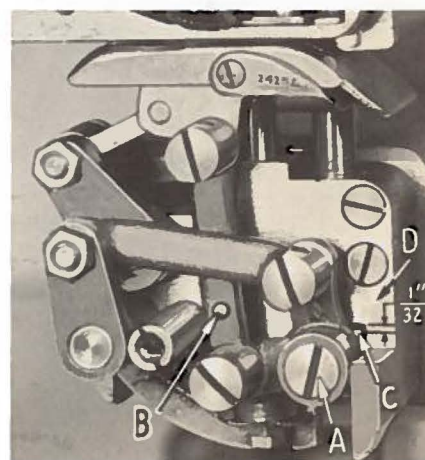


Fig. 10

ADJUSTING INSTRUCTIONS (Continued)

Turn handwheel in operating direction until the feed point reaches its highest position and check to see that the feed point is in the center of the slots in the feed plate. If the feed point is not in proper alignment, loosen screw (A, Fig. 10) and turn the feed plate to align the feed point in the slots. Retighten screw (A).

The feed plate pressure is adjusted at the factory. If it becomes necessary to change the pressure, turn knurled screw (A, Fig. 11) clockwise for more pressure and counterclockwise for less.

SETTING THE FEED POINT HEIGHT

Turn the handwheel in operating direction until the feed point reaches its highest position and the feed plate reaches its lowest position. At this point, there should be $\frac{1}{8}$ inch space between the top of the feed plate and the bottom of the presser foot (Fig. 12). To obtain this adjustment, loosen the machine base locking screw (A, Fig. 13) and lay the machine on its back. Then, loosen screw (B, Fig. 11) and hold link (A, Fig. 12) so that the feed point is pressed up against the bottom of the presser foot. Turn the handwheel in operating direction until the feed point reaches its most forward position, and retighten screw (B, Fig. 11).

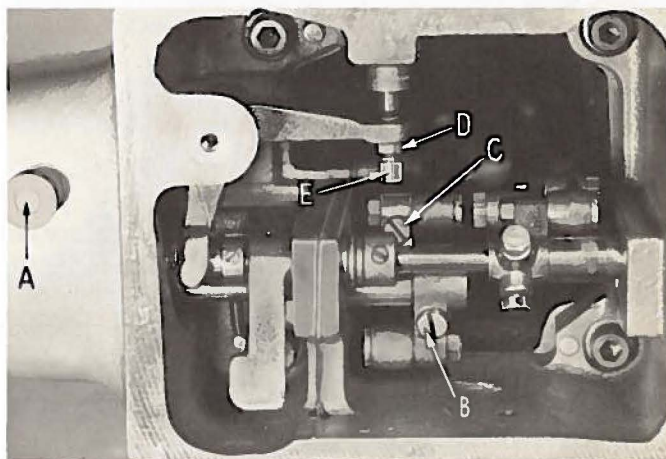


Fig. 11

SETTING BOTTOM FEED POINT IN LINE OF FEED

Turn the handwheel in operating direction until the feed point first touches the presser foot. At this point, the front edge of the feed point should be aligned with the front edge of the knurling on the feed plate. To make this adjustment, loosen screw (C, Fig. 11), and by means of link (A, Fig. 12), move the feed point forward or backward as required. Retighten screw (C, Fig. 11). If, in this adjustment, the feed point has to be moved an appreciable distance, repeat the adjustment "Setting The Feed Point Height" in the previous instructions.

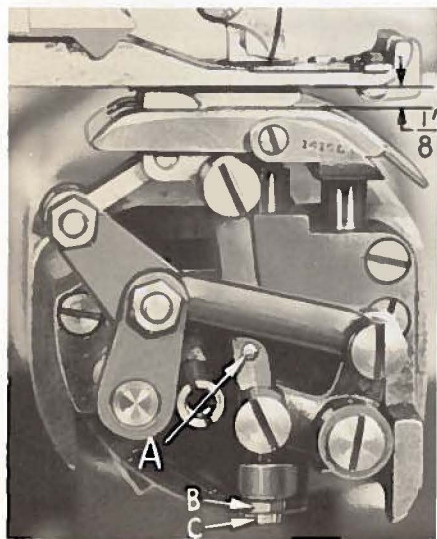


Fig. 12

SETTING THE HEIGHT OF PLUNGER

The height of the plunger is adjusted by turning the knob (B, Fig. 13) clockwise to raise the plunger and counterclockwise to lower it. To provide for the maximum plunger adjustment, there should be $\frac{1}{32}$ inch clearance between plunger crank (A, Fig. 14) and the plunger block (B) when the adjusting knob (B, Fig. 13) is turned clockwise as far as it will go. Note that there are pins which stop the knob (B) after each complete revolution. The knob may be pulled out toward the operator to lift it over the stop. The knob can make three complete revolutions. To make the $\frac{1}{32}$ inch adjustment, turn the knob clockwise as far as it will go. Loosen locknut (D, Fig. 11) and turn screw (E) in the required direction. Retighten nut (D). Setting is correct when the needle, on its stroke, to the right, just clears

ADJUSTING INSTRUCTIONS (Continued)

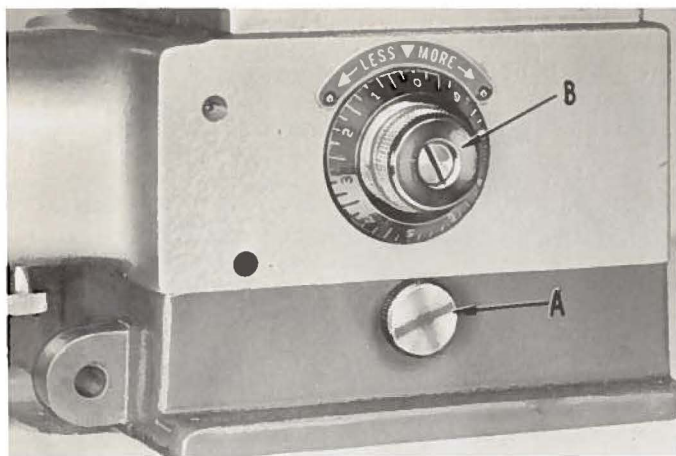


Fig. 13

screw (A, Fig. 15) and adjusting screw (B) are in view. Loosen lock screw and turn adjusting screw in the required direction. Turning the adjusting screw clockwise shortens the stitch and counterclockwise lengthens it. Retighten lock screw and swing the arm cover plate back into position.

SETTING THE STITCH LENGTH OF TOP FEED

The top feed should be synchronized with the bottom feed. If the setting is incorrect, loosen screw (A, Fig. 16) and move the slide (B) up to lengthen the stitch or down to shorten the stitch.

ADJUSTING THE TAKE-UP

Make sure the machine is threaded in accordance with threading diagram (Fig. 1) and sew under power to check stitch. If the looper is not catching the needle thread as a result of the needle not throwing up a large enough loop, then the needle stroke should be adjusted. To make this adjustment, refer to instructions in paragraph one under "Setting The Needle Stroke".

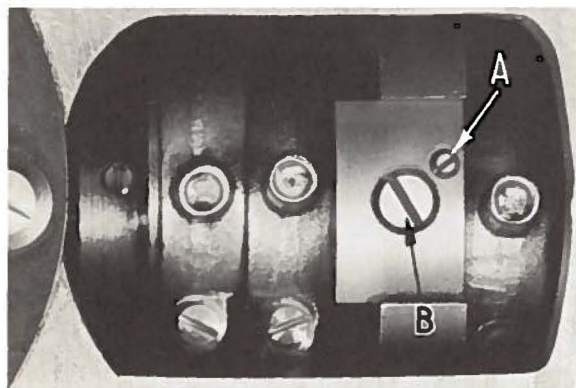


Fig. 15

the top of the plunger, with the adjusting knob in the maximum clockwise position. If after initial setting, further adjustment of height is necessary, it can be accomplished by turning nut (B, Fig. 12) and locknut (C) up or down as required. Check the adjustment so that the needle does not strike the plunger.

SETTING THE STITCH LENGTH OF BOTTOM FEED

Stitch length adjustment is made through the access hole in the top of the arm (Fig. 15). Swing arm cover plate out of position and turn the handwheel in operating direction until lock

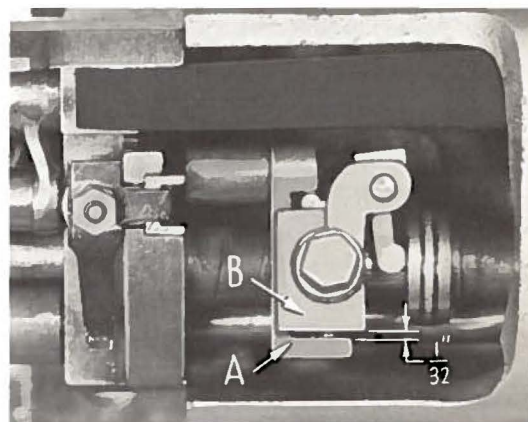


Fig. 14

The take-up lever (A, Fig. 17) should be set to produce a good stitch with a minimum amount of thread tension. Set the take-up so its downward travel begins when the needle eye, traveling from the right to left, is even with the left side of the cloth opening in the presser foot. Adjustment is made by turning the handwheel in the operating direction until the needle eye is even with the left side of the cloth opening in the presser foot, then loosen set screws (B, Fig. 17) in take-up lever crank and turn nut (C) counterclockwise until take-up begins its downward stroke. Retighten the screws (B).

ADJUSTING INSTRUCTIONS (Continued)

NOTE: This is an approximate setting and may be varied to accommodate different types of thread, stitch length and weights of material.

Thread breakage may result if the needle thread tension is set either too loose or too tight. The tension on the needle thread is regulated by turning thumb nut (D, Fig. 17) to the right or left as required. This tension should be set sufficiently tight to produce a firm stitch. Do not, however, make this adjustment too tight as the thread will draw the goods and will leave impressions or dimples on the face of the garment.

ADJUSTING WIDTH OF BITE (STYLE 43-270)

The spacing between the stitches can be adjusted to a limited degree on machine Style 43-270, by moving the stitch guides on the front of the presser foot. To change width, loosen the two guide screws and move guides left or right as required.

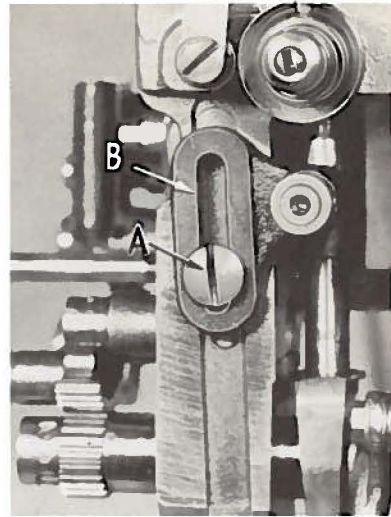


Fig. 16

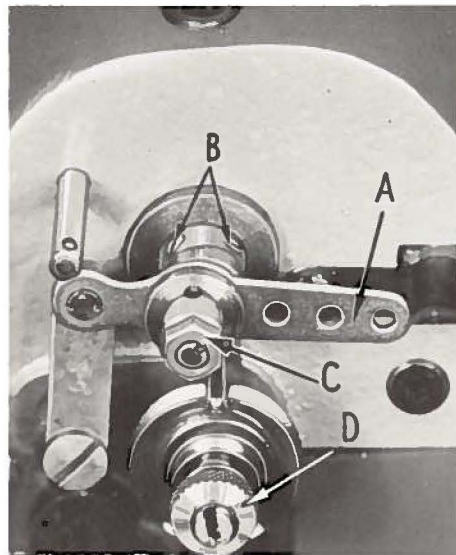
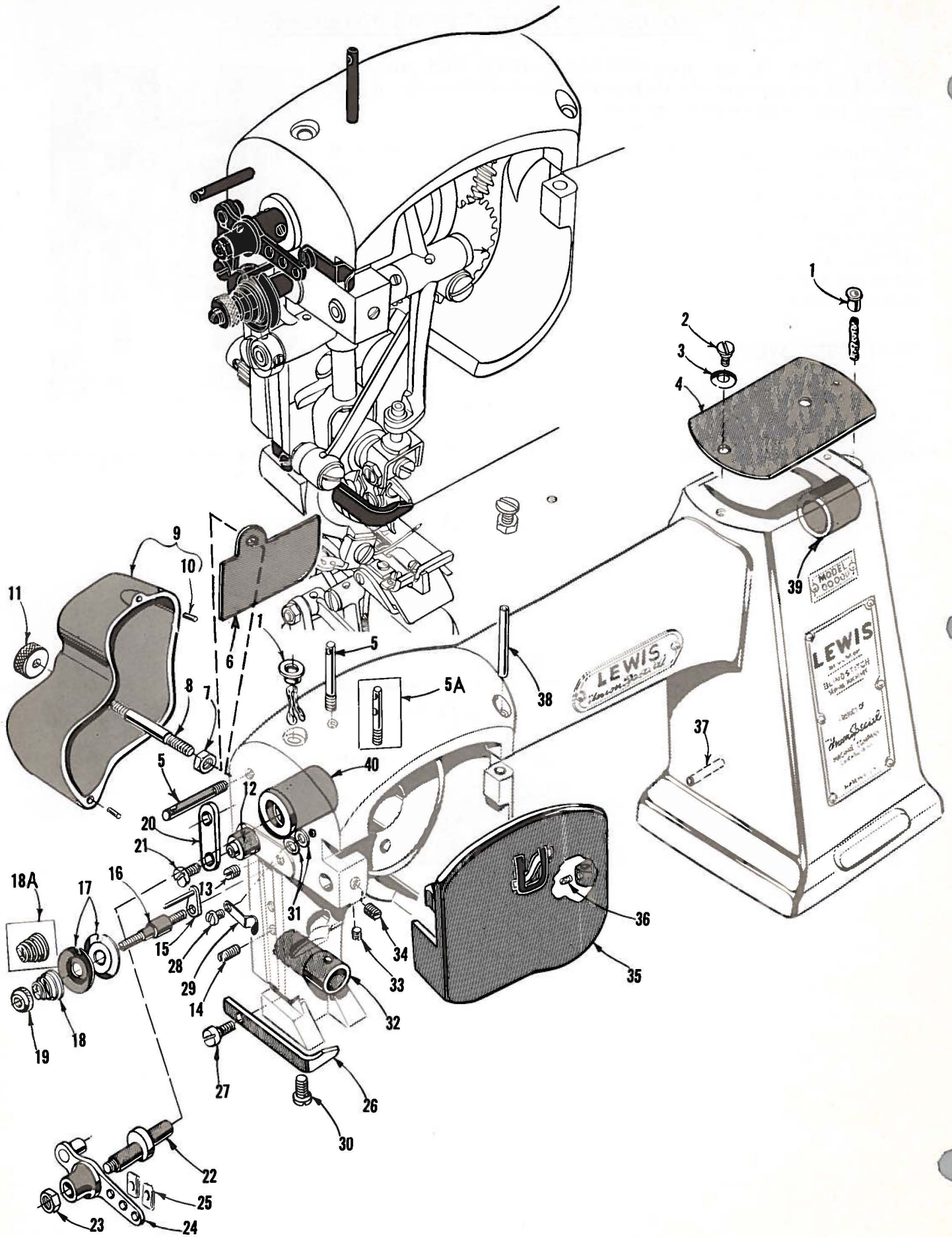
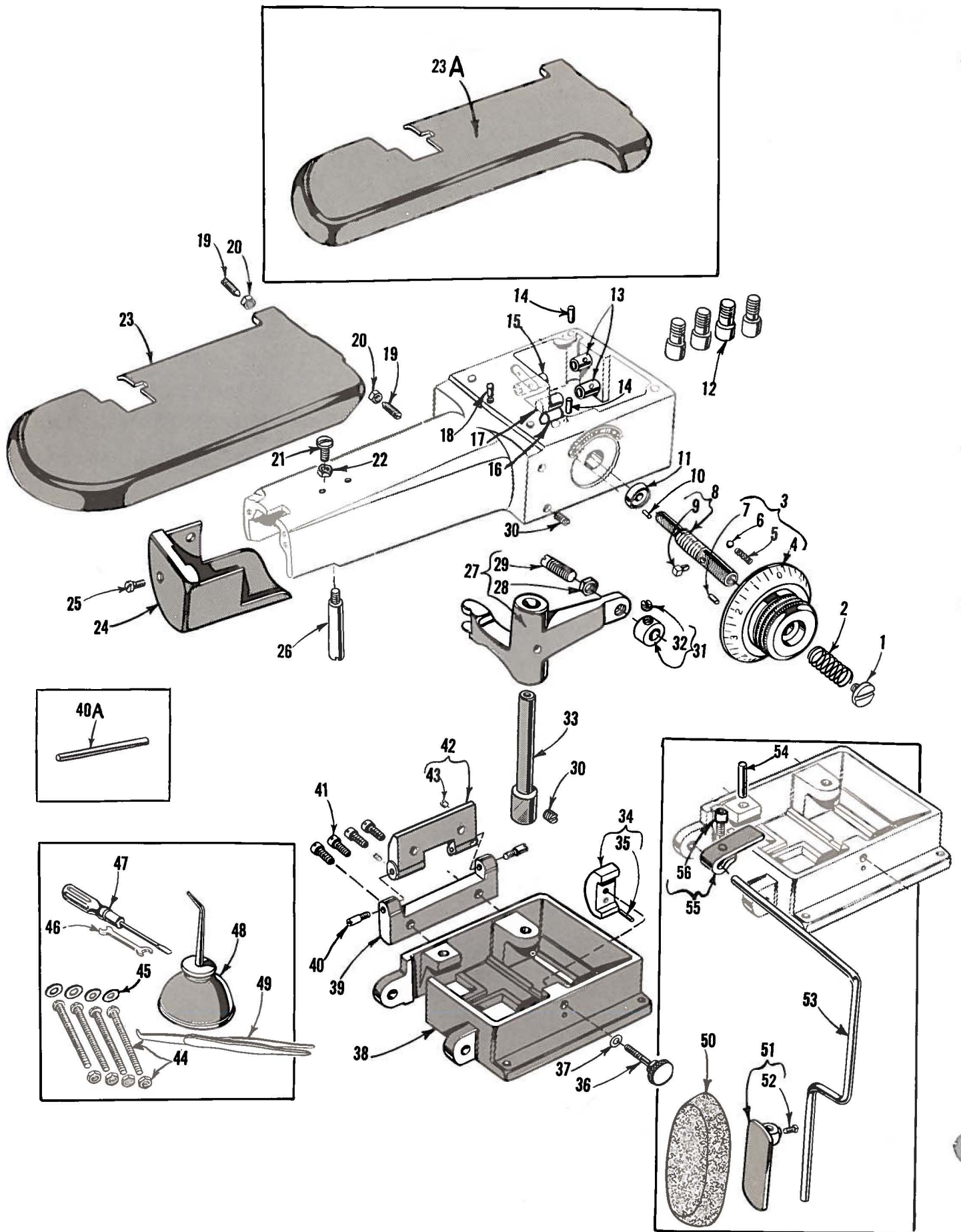


Fig. 17



ARM, COVERS, BUSHINGS AND THREAD TENSION PARTS

| <u>Ref. No.</u> | <u>Part No.</u> | <u>Description</u> | <u>Amt. Req.</u> |
|-----------------|-----------------|---|------------------|
| 1 | 125-23 | Oil Cup ----- | 2 |
| 2 | 1220 L | Screw ----- | 1 |
| 3 | 1221 L | Spring Washer----- | 1 |
| 4 | 1219 L | Arm Cover Plate ----- | 1 |
| 5 | CS454 | Thread Guide, for Styles 43-240, 43-250 ----- | 2 |
| | CS454 | Thread Guide, for Style 43-270----- | 1 |
| 5A | 41-55 | Thread Guide, for Style 43-270----- | 1 |
| 6 | 8-139 | Cover Guard ----- | 1 |
| 7 | CS232 | Nut ----- | 1 |
| 8 | CS467 | Stud ----- | 1 |
| 9 | CS466 A | Gear Cover, complete----- | 1 |
| 10 | CS469 | Pin ----- | 2 |
| 11 | CS468 | Nut ----- | 1 |
| 12 | CS445 | Stud, for No. CS444 ----- | 1 |
| 13 | CS320-1/2 | Set Screw, for No. CS441 A ----- | 1 |
| 14 | 1003 L | Set Screw, for No. CS434----- | 1 |
| 15 | CS471 A | Tension Disc Retainer, complete ----- | 1 |
| 16 | CS324 | Thread Tension Staff----- | 1 |
| 17 | 1183 L | Tension Disc ----- | 2 |
| 18 | 1132 L | Tension Spring, for Styles 43-240, 43-250 ----- | 1 |
| 18A | 1132 SL | Tension Spring, for Style 43-270 ----- | 1 |
| 19 | 1134 L | Knurled Nut ----- | 1 |
| 20 | CS444 | Link ----- | 1 |
| 21 | 1329 L-1/2 | Screw ----- | 1 |
| 22 | CS443 | Take-up Lever Crank ----- | 1 |
| 23 | 1160 L | Nut ----- | 1 |
| 24 | CS442 A | Take-up Lever, complete ----- | 1 |
| 25 | 21-176 | Clip Spring, for Style 43-250 only ----- | 2 |
| 26 | CS448 | Looper Spreader Opener----- | 1 |
| 27 | CS313 | Screw ----- | 1 |
| 28 | LS314 | Screw ----- | 1 |
| 29 | CS429 | Front Gear Cover Latch ----- | 1 |
| 30 | 876 L | Screw, for presser foot (See Page 27 for presser foot) ----- | 1 |
| 31 | 1185 L | Washer, for No. CS429----- | 2 |
| 32 | CS206 | Needle Bar Bushing ----- | 1 |
| 33 | CS320-1/2 | Set Screw, for No. CS436 ----- | 1 |
| 34 | 1025 L | Set Screw, for No. CS446 ----- | 1 |
| 35 | CS428 | Front Gear Cover ----- | 1 |
| 36 | 1081 L | Set Screw ----- | 1 |
| 37 | 61-33 | Oil Tube ----- | 1 |
| 38 | CS463 | Hinge Pin, for No. CS428 ----- | 1 |
| 39 | CS427 | Main Shaft Bushing, right ----- | 1 |
| 40 | FP503 | Main Shaft Bushing, left ----- | 1 |

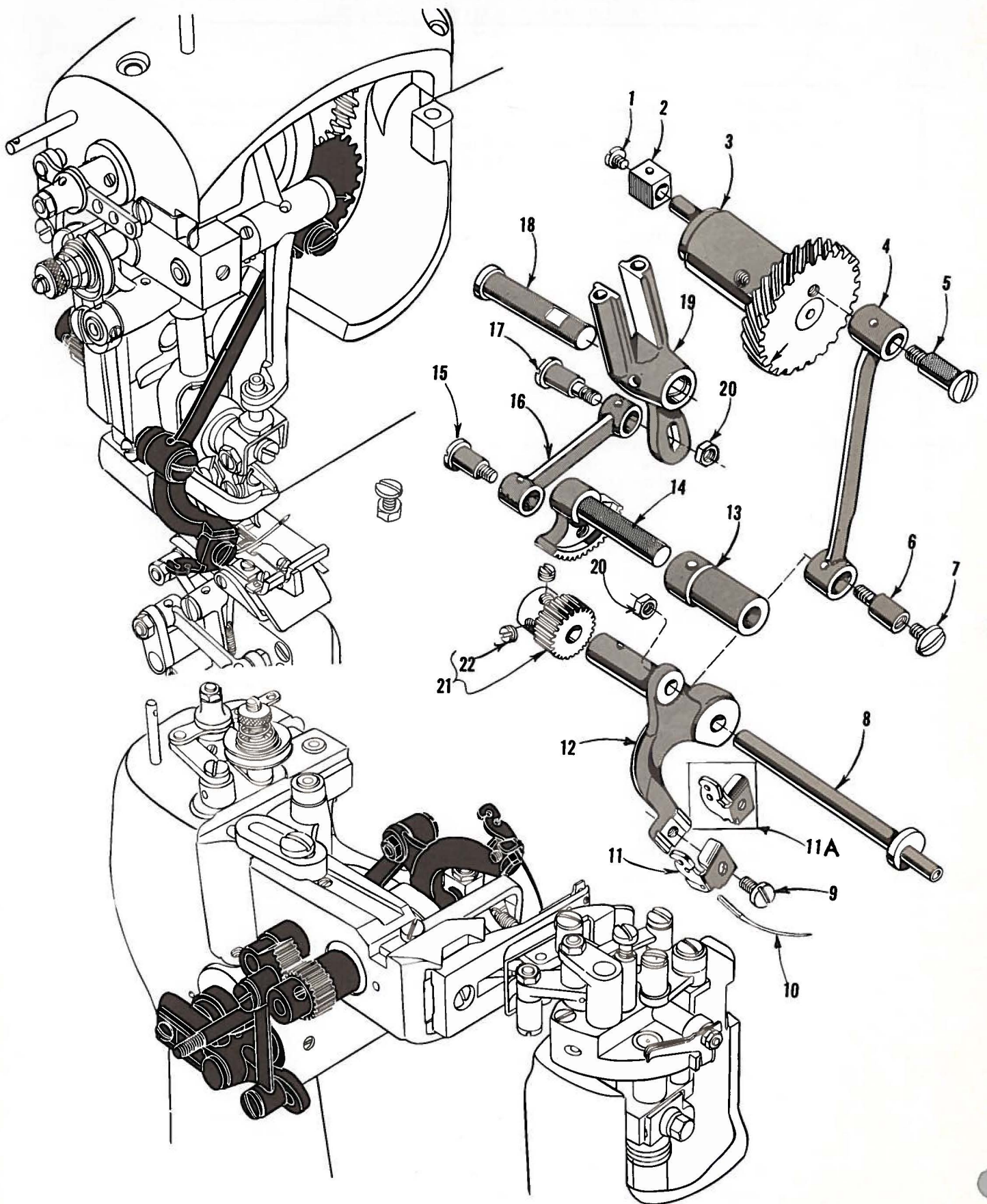


CYLINDER BASE, SUB-BASE, WORK SUPPORT PLATE,
KNEE PRESS AND ACCESSORIES

| <u>Ref. No.</u> | <u>Part No.</u> | <u>Description</u> | <u>Amt. Req.</u> |
|---------------------|---------------------|---|----------------------|
| 1 | 18-1028 | Screw ----- | 1 |
| 2 | 21-404 | Spring ----- | 1 |
| 3 | 4149-30 | Plunger Regulator Knob Assembly ----- | 1 |
| 4 | 149-30 | Plunger Regulator Knob ----- | 1 |
| 5 | 21-237 | Spring ----- | 1 |
| 6 | 79-31 | Ball ----- | 1 |
| 7 | 22-C214-4 | Stop Pin ----- | 1 |
| 8 | 418-1026 | Plunger Regulating Screw, complete ----- | 1 |
| 9 | 22-296 | Pin ----- | 1 |
| 10 | 22-C214-4 | Stop Pin ----- | 1 |
| 11 | 44-301 | Notched Disc Plate ----- | 1 |
| 12 | 18-1045 | Screw, for base No. 3-90 ----- | 4 |
| 13 | 1321 L | Bushing, for Nos. 1291 L, 1295 L ----- | 2 |
| 14 | 22-148 | Dowel Pin ----- | 2 |
| 15 | 16-354 | Bushing, for feed rocker shaft No. 1259 AL ----- | 1 |
| 16 | 16-379 | Bushing, for plunger rocker shaft ----- | 1 |
| 17 | 16-356 | Bushing, for feed elevating rocker shaft ----- | 1 |
| 18 | 1055 L | Pin, for spring No. 1283 L ----- | 1 |
| 19 | LS398 | Pivot Screw ----- | 2 |
| 20 | LS299 | Nut ----- | 2 |
| 21 | FP505 | Adjusting Screw ----- | 1 |
| 22 | 1160 L | Nut ----- | 1 |
| 23 | 4-136 | Work Support Plate, for Styles 43-240, 43-250 ----- | 1 |
| 23A | 4-137 | Work Support Plate, for Style 43-270 ----- | 1 |
| 24 | 32-277 | Cylinder Base Cover ----- | 1 |
| 25 | CS313 | Screw ----- | 1 |
| 26 | 17-167 | Stud, for supporting cylinder base ----- | 1 |
| 27 | 48-166 | Plunger Regulating Bell Crank, large ----- | 1 |
| 28 | 20-34 | Nut ----- | 1 |
| 29 | 1192 L | Set Screw ----- | 1 |
| 30 | 1025 L | Set Screw, for No. 14-472 ----- | 1 |
| 31 | 1173 L | Collar ----- | 1 |
| 32 | 1137 L | Set Screw ----- | 1 |
| 33 | 14-472 | Plunger Regulating Crank Shaft ----- | 1 |
| 34 | 51-26 | Sub-Base Locking Latch ----- | 1 |
| 35 | 22-C214-2 | Pin ----- | 1 |
| 36 | 18-1030 | Sub-Base Locking Latch Screw ----- | 1 |
| 37 | 40-139 | Washer ----- | 1 |
| 38 | 3-91 | Sub-Base ----- | 1 |
| 39 | 50-262 | Sub-Base Hinge Bracket ----- | 1 |
| † 40 | 18-959 | Hinge Bracket Pivot Screw ----- | 2 |
| 40A | 14-508 | Hinge Bracket Shaft ----- | 1 |
| 41 | 18-998 | Screw ----- | 4 |
| 42 | 50-263 L | Cylinder Base Hinge Bracket ----- | 1 |
| 43 | 1081 L | Set Screw ----- | 2 |
| 44 | 18-955 | Bolt, for holding machine on table board ----- | 4 |
| 45 | 652-16 | Washer, for No. 18-955 ----- | 4 |
| 46 | 1405 L | Double End Wrench, 1/4 inch and 5/16 inch opening ----- | 1 |
| 47 | 21201 | Screwdriver, 9/64 inch round blade, over all length 7 11/16 inches ----- | 1 |
| 48 | 413 | Oil Can ----- | 1 |
| *49 | 660-240 | Thread Tweezers ----- | 1 |
| *50 | 660-168 | Knee Press Plate Cushion, sponge rubber ----- | 1 |
| 51 | 4129-18 | Knee Press Plate, complete ----- | 1 |
| 52 | 22508 | Screw ----- | 1 |
| 53 | 71-86 | Knee Press Rod ----- | 1 |
| 54 | 22-301 | Pin, for knee lift ----- | 1 |
| 55 | 45-422 | Knee Press Lifter ----- | 1 |
| 56 | 22652 F-12 | Clamp Screw ----- | 1 |

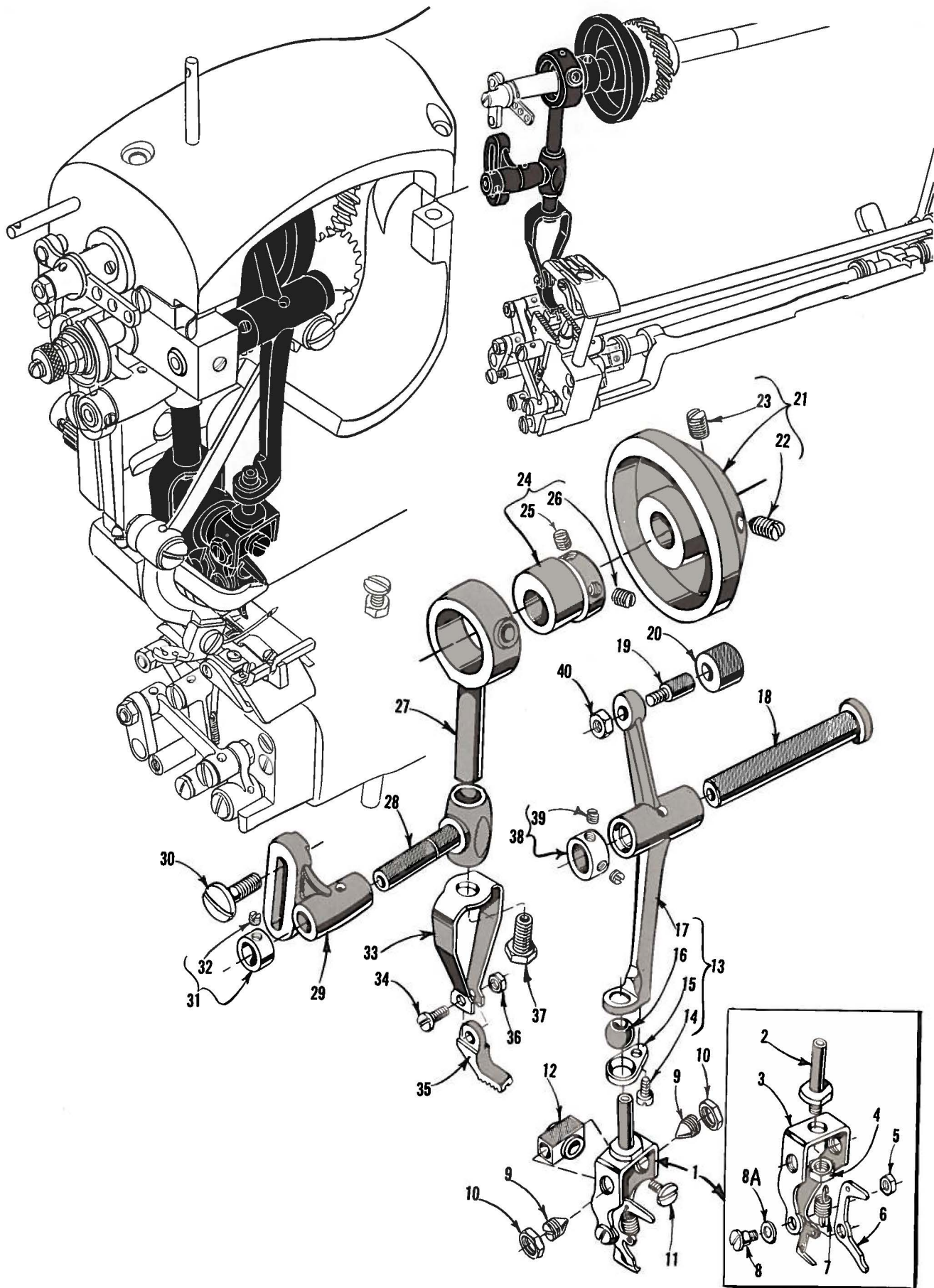
†On new machines two No. 18-959 will be replaced by one No. 14-508

*Not furnished with machine, order as extra send and charge item.



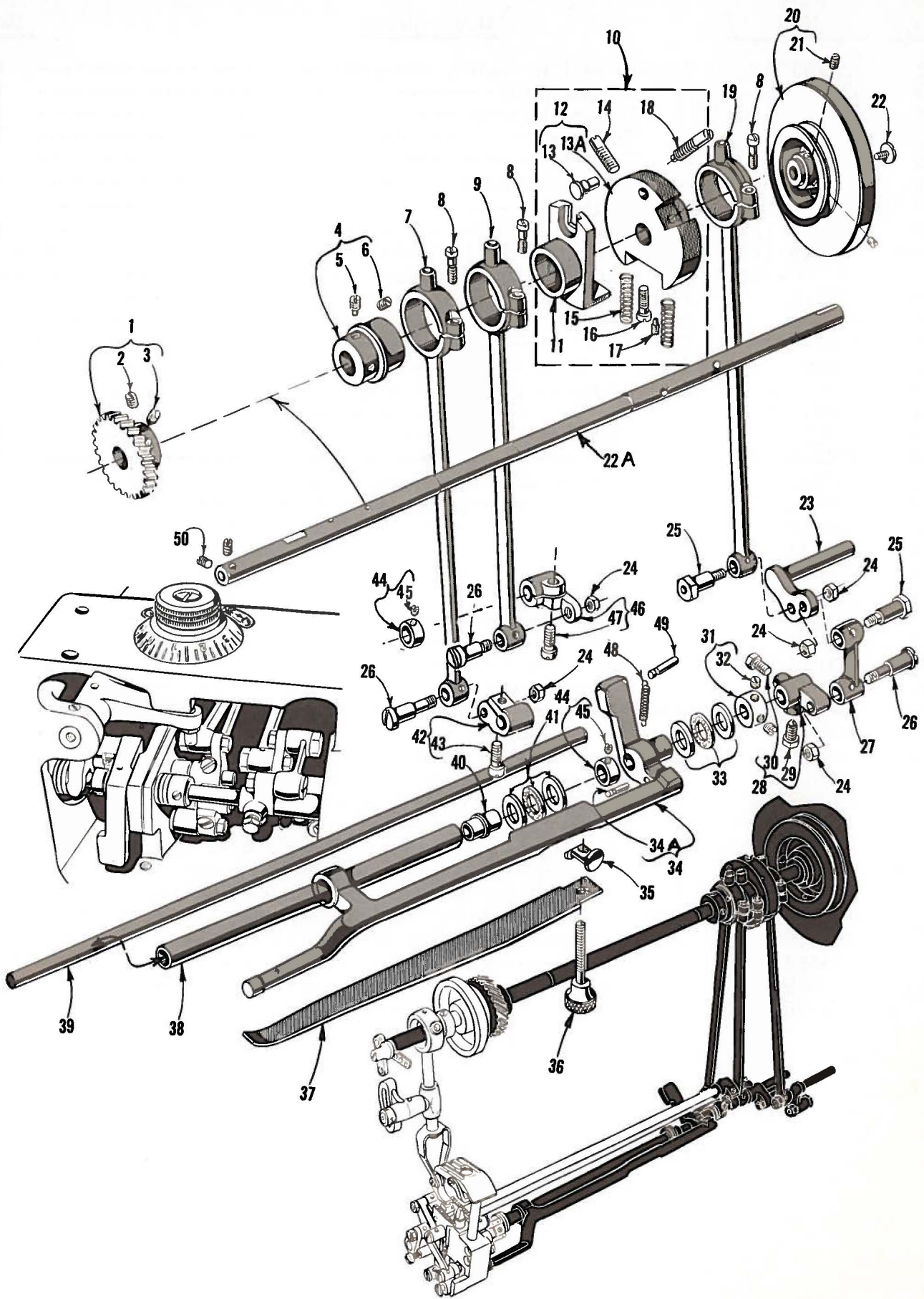
NEEDLE AND LOOPER SPREADER DRIVING PARTS

| <u>Ref. No.</u> | <u>Part No.</u> | <u>Description</u> | <u>Amt. Req.</u> |
|-----------------|-----------------|---|------------------|
| 1 | CS337 | Screw ----- | 1 |
| 2 | CS437 | Slide Block ----- | 1 |
| 3 | CS441 A | Needle and Looper Yoke Crank Shaft Bushing and Gear, complete----- | 1 |
| 4 | CS451 | Needle Bar Connecting Link ----- | 1 |
| 5 | CS307 | Bearing Screw ----- | 1 |
| 6 | 18-902 | Screw ----- | 1 |
| 7 | 888 L | Screw ----- | 1 |
| 8 | CS319 | Looper Crank Shaft ----- | 1 |
| 9 | CS327 | Screw ----- | 1 |
| 10 | 29-123-1/2 | Needle, for Styles 43-240, 43-250----- | 1 |
| | 29-134-1/2 | Needle, for Style 43-270 ----- | 1 |
| 11 | CS616 | Needle Clamp, for Styles 43-240, 43-250 ----- | 1 |
| 11A | 30-78 | Needle Clamp, for Style 43-270 ----- | 1 |
| 12 | CS3 A | Needle Carrier----- | 1 |
| 13 | CS434 | Bushing ----- | 1 |
| 14 | CS433 A | Looper Rock, complete ----- | 1 |
| 15 | CS438 | Bearing Screw ----- | 1 |
| 16 | CS439 | Looper Rock Connecting Link ----- | 1 |
| 17 | CS308 | Screw ----- | 1 |
| 18 | CS436 | Looper Driving Yoke Shaft----- | 1 |
| 19 | CS435 | Looper Driving Yoke ----- | 1 |
| 20 | 1160 L | Nut -- ----- | 2 |
| 21 | CS606 | Looper Pinion----- | 1 |
| 22 | 1029 L | Set Screw----- | 2 |



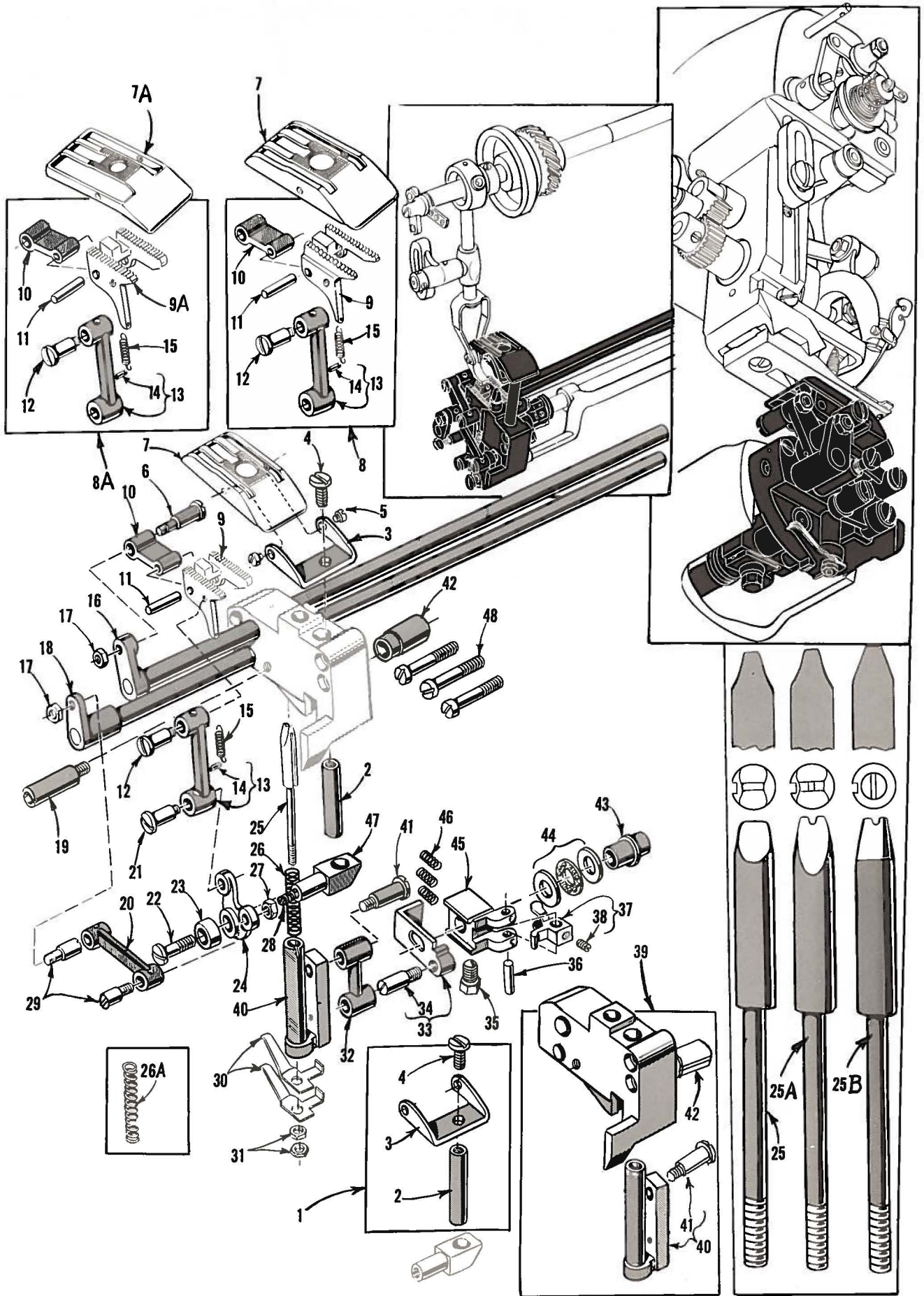
TOP FEED, TOP FEED MECHANISM, LOOPER AND SPREADER PARTS

| <u>Ref. No.</u> | <u>Part No.</u> | <u>Description</u> | <u>Amt. Req.</u> |
|-----------------|-----------------|--|------------------|
| 1 | CS503 BA | Looper and Spreader, complete----- | 1 |
| 2 | CS216 | Looper Staff----- | 1 |
| 3 | CS503-1/2 | Looper Frame----- | 1 |
| 4 | 1160 L | Nut----- | 1 |
| 5 | 1311 L | Nut----- | 1 |
| 6 | CS502 | Looper Spreader----- | 1 |
| 7 | CS401 | Spring----- | 1 |
| 8 | CS311-1/2 | Bearing Screw----- | 1 |
| 8A | 40-112 | Washer, .003 inch thick----- | if required |
| | 40-113 | Washer, .005 inch thick----- | if required |
| 9 | CS312 | Pivot Screw----- | 2 |
| 10 | CS214 | Nut----- | 2 |
| 11 | CS335 | Screw----- | 1 |
| 12 | CS203 | Bearing Block----- | 1 |
| 13 | CS17 A | Looper Ball Joint Connecting Lever, complete----- | 1 |
| 14 | 1014 L | Screw----- | 1 |
| 15 | CS6 | Cap----- | 1 |
| 16 | CS228 | Ball----- | 1 |
| 17 | CS17 | Looper Ball Joint Connecting Lever----- | 1 |
| 18 | CS446 | Shaft----- | 1 |
| 19 | CS316 | Bearing Stud----- | 1 |
| 20 | CS222 | Cam Roller----- | 1 |
| 21 | CS608 | Looper Cam----- | 1 |
| 22 | CS317 | Spot Screw----- | 1 |
| 23 | CS317-1/2 | Set Screw----- | 1 |
| 24 | FP535 | Eccentric, for top feed, on Styles 43-240, 43-250----- | 1 |
| 25 | 1025 L | Set Screw----- | 1 |
| 26 | 1025 L | Set Screw----- | 1 |
| 27 | FP529 | Top Feed Slide Rod, for Styles 43-240, 43-250----- | 1 |
| 28 | FP521 | Top Feed Adjuster, for Styles 43-240, 43-250----- | 1 |
| 29 | FP522 | Top Feed Adjuster Bracket, for Styles 43-240, 43-250-- | 1 |
| 30 | LS395 | Screw, for Styles 43-240, 43-250----- | 1 |
| 31 | 1284 L | Collar, for Styles 43-240, 43-250----- | 1 |
| 32 | 1022 L | Set Screw----- | 1 |
| 33 | FP526 | Top Feed Holder, for Styles 43-240, 43-250----- | 1 |
| 34 | FP527 | Screw, for Styles 43-240, 43-250----- | 1 |
| 35 | FP525 | Top Feed, for Styles 43-240, 43-250----- | 1 |
| 36 | FP528 | Nut, for Styles 43-240, 43-250----- | 1 |
| 37 | FP530 | Clamp Screw, for Styles 43-240, 43-250----- | 1 |
| 38 | CS462 | Collar----- | 1 |
| 39 | 1022 L | Set Screw----- | 2 |
| 40 | 1160 L | Nut----- | 1 |



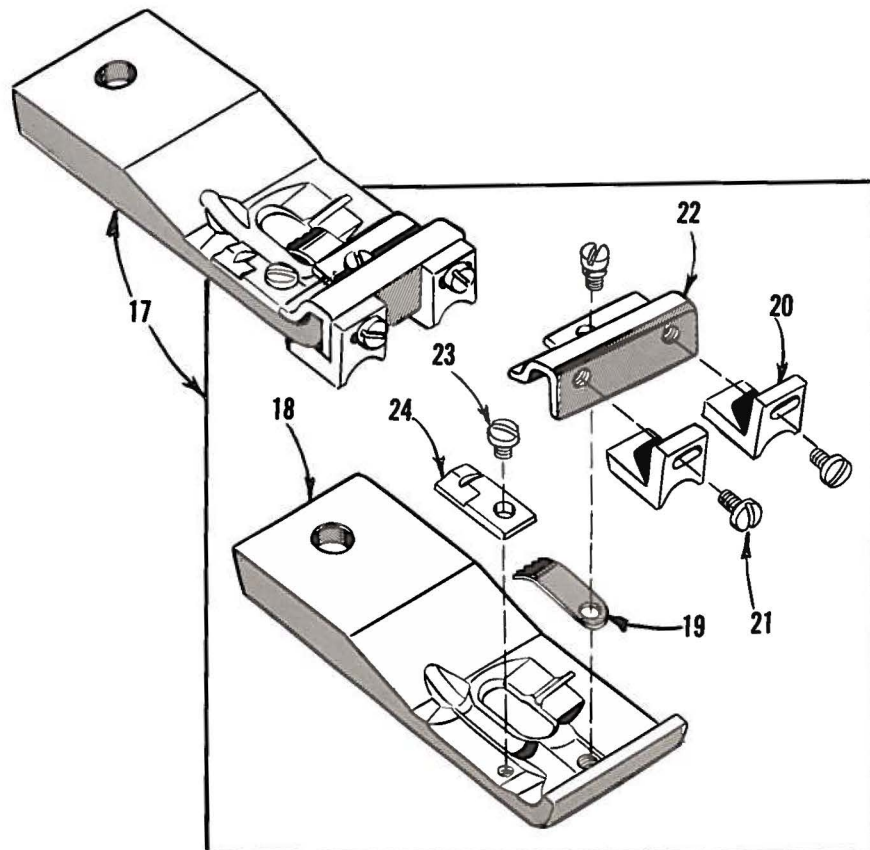
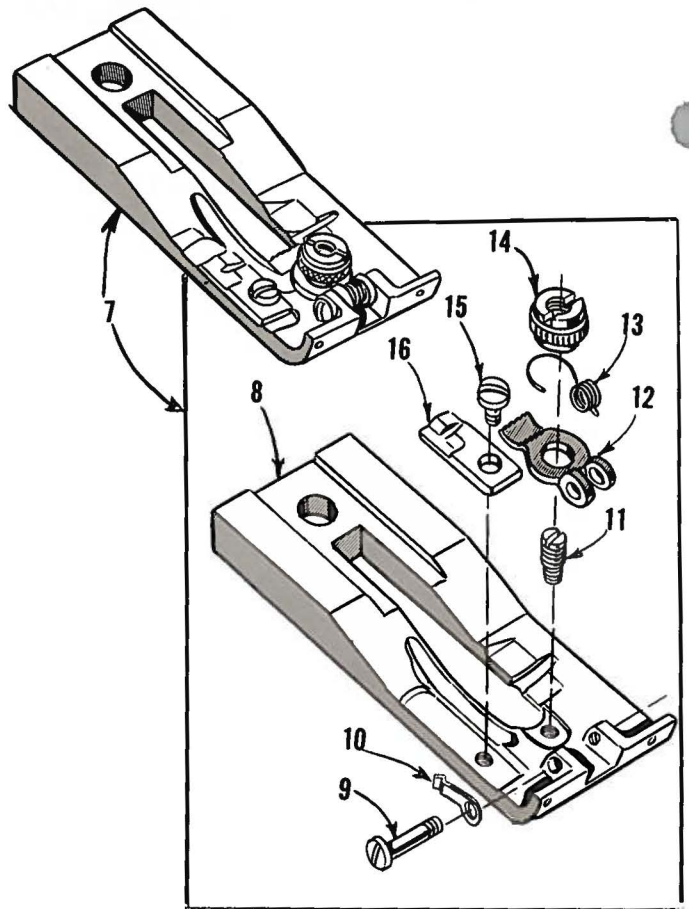
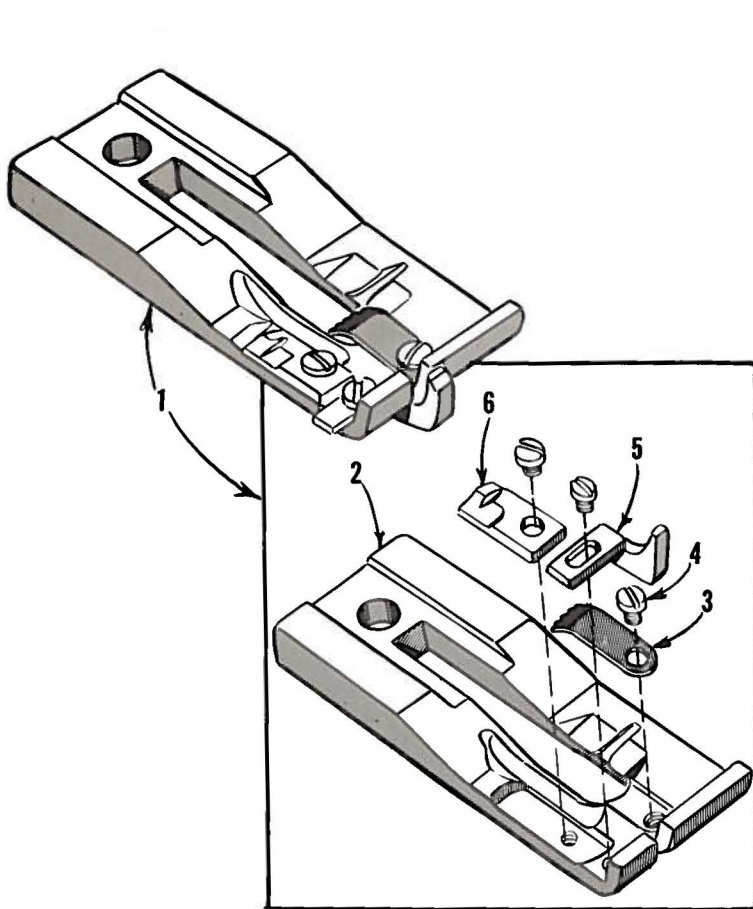
MAIN SHAFT, FEED AND PLUNGER DRIVING PARTS

| <u>Ref. No.</u> | <u>Part No.</u> | <u>Description</u> | <u>Amt. Req.</u> |
|-----------------|-----------------|--|------------------|
| 1 | CS605 | Main Shaft Drive Gear ----- | 1 |
| 2 | CS320-1/2 | Set Screw ----- | 1 |
| 3 | CS320 | Spot Screw ----- | 1 |
| 4 | 1204 L | Feed Elevating Eccentric ----- | 1 |
| 5 | 1147 L | Spot Screw ----- | 1 |
| 6 | 1005 L | Set Screw ----- | 1 |
| 7 | CS421 | Feed Elevating Connecting Rod ----- | 1 |
| 8 | 1206 L | Screw ----- | 3 |
| 9 | CS423 | Feed Driving Connecting Rod ----- | 1 |
| 10 | CS424 A | Feed and Plunger Crank Disc, complete ----- | 1 |
| 11 | 1212 L | Feed Adjusting Eccentric ----- | 1 |
| 12 | CS424 A-1/2 | Feed and Plunger Crank Disc, with guide pin ----- | 1 |
| 13 | 1208 L | Guide Pin ----- | 1 |
| 13A | CS424 | Feed and Plunger Crank Disc ----- | 1 |
| 14 | 1211 L | Set Screw ----- | 1 |
| 15 | 1214 L | Spring ----- | 2 |
| 16 | 1213 L | Screw ----- | 1 |
| 17 | 1020 L | Spot Screw ----- | 1 |
| 18 | 1210 L | Spot Screw ----- | 1 |
| 19 | CS422 | Plunger Connecting Rod ----- | 1 |
| 20 | 57-45 | Handwheel ----- | 1 |
| 21 | CS320-1/2 | Set Screw ----- | 2 |
| 22 | 18-748 | Screw (not used on later models) ----- | 1 |
| 22A | 14-326 | Main Shaft ----- | 1 |
| 23 | 1291 L | Plunger Differential Crank ----- | 1 |
| 24 | 1009 L | Nut, for 1244 L, 1288 L ----- | 5 |
| 25 | 1288 L | Screw for CS422, 1292 L ----- | 2 |
| 26 | 1244 L | Screw ----- | 3 |
| 27 | 1292 L | Plunger Differential Crank Link ----- | 1 |
| 28 | 1293 L | Plunger Rocker Crank ----- | 1 |
| 29 | 1294 L | Spot Screw ----- | 1 |
| 30 | 1333 L | Set Screw ----- | 1 |
| 31 | 1027 L | Collar ----- | 1 |
| 32 | 1029 L | Set Screw ----- | 2 |
| 33 | 478-11 | Ball Bearing, complete with washers, for use without 16-379 bushing ----- | 1 |
| 34 | 449-32 | Feed Depresser Yoke, complete with pin for use without 16-379 bushing ----- | 1 |
| | 449-33 | Feed Depresser Yoke, for new machines with 16-379 bushing ----- | 1 |
| 34A | 1281 L | Spring Pin ----- | 1 |
| 35 | 1272 L | Nut ----- | 1 |
| 36 | 1271 L | Knurled Adjusting Screw ----- | 1 |
| 37 | 1270 L | Feed Spring ----- | 1 |
| 38 | 61-82 | Plunger Rocker Shaft Tube ----- | 1 |
| 39 | 1295 L | Plunger Rocker Shaft ----- | 1 |
| 40 | 16-366 | Bushing ----- | 1 |
| 41 | 478-23 | Ball Bearing, complete with washer ----- | 1 |
| 42 | LS20 A | Feed Elevating Crank ----- | 1 |
| 43 | LS301 | Screw ----- | 1 |
| 44 | 1284 L | Collar ----- | 2 |
| 45 | 1022 L | Set Screw ----- | 1 |
| 46 | 448-75 | Feed Rocker Crank ----- | 1 |
| 47 | 1243 L | Screw ----- | 1 |
| 48 | 1283 L | Feed Depresser Yoke Spring ----- | 1 |
| 49 | 1055 L | Pin ----- | 1 |
| 50 | 1022 L | Set Screw, for CS443 ----- | 2 |



FEED PLATES, PLUNGERS, FEED DRIVING AND PLUNGER DRIVING PARTS

| <u>Ref. No.</u> | <u>Part No.</u> | <u>Description</u> | <u>Amt. Req.</u> |
|-----------------|-----------------|---|------------------|
| 1 | 1417 AL | Feed Plate Yoke, complete ----- | 1 |
| 2 | 1413 L | Feed Plate Stem ----- | 1 |
| 3 | 1415 L | Feed Plate Yoke ----- | 1 |
| 4 | FP539 | Screw ----- | 1 |
| 5 | 1414 L | Screw, for feed plate ----- | 2 |
| 6 | 1260 L | Screw ----- | 1 |
| 7 | 24-285 | Feed Plate, for Styles 43-240, 43-250 ----- | 1 |
| 7A | 24-316 | Feed Plate, for Style 43-270 ----- | 1 |
| 8 | FP563 A | Feed Point, complete, for Styles 43-240, 43-250 ----- | 1 |
| 8A | 423-329 | Feed Point, complete, for Style 43-270 ----- | 1 |
| 9 | FP563 | Feed Point, for Styles 43-240, 43-250 ----- | 1 |
| 9A | 23-329 | Feed Point, for Styles 43-270 ----- | 1 |
| 10 | 1261 L | Feed Link ----- | 1 |
| 11 | 1262 L | Hinge Pin ----- | 1 |
| 12 | 1671 L | Screw ----- | 1 |
| 13 | 1677 AL | Feed Elevating Link, complete ----- | 1 |
| 14 | 1254 L | Spring Pin ----- | 1 |
| 15 | 1256 L | Feed Retaining Spring ----- | 1 |
| 16 | 1259 AL | Feed Rocker Shaft, complete ----- | 1 |
| 17 | 1160 L | Nut ----- | 2 |
| 18 | 1248 AL | Feed Elevating Shaft, complete ----- | 1 |
| 19 | 1667 L | Stud, for No. 4115-72 ----- | 1 |
| 20 | 46-94 | Feed Elevating Link ----- | 1 |
| 21 | 1671 L | Screw ----- | 1 |
| 22 | 18-745 | Bearing Screw ----- | 1 |
| 23 | 1672 L | Roll ----- | 1 |
| 24 | 1669 L | Feed Elevating Bell Crank ----- | 1 |
| 25 | CS449 | Plunger, for Style 43-240 ----- | 1 |
| 25A | FP506 | Plunger, for Style 43-250 ----- | 1 |
| 25 B | 26-178 | Plunger, for Style 43-270 ----- | 1 |
| 26 | 1310 SL | Plunger Spring, for Styles 43-240, 43-270 ----- | 1 |
| 26A | 1310 L | Plunger Spring, for Style 43-250 ----- | 1 |
| 27 | 1160 L | Nut ----- | 1 |
| 28 | 18-533 | Screw, for feed spring slide block ----- | 1 |
| 29 | 1249 L | Bearing Stud ----- | 2 |
| 30 | 21-255 | Plunger Equalizing Spring ----- | 2 |
| 31 | 1311 L | Nut, for plunger ----- | 2 |
| 32 | 1304 L | Plunger Frame Link ----- | 1 |
| 33 | 48-168 | Plunger Crank ----- | 1 |
| 34 | 18-1027 | Bearing Screw ----- | 1 |
| 35 | 1298 L | Spot Screw ----- | 1 |
| 36 | 22-297 | Pin ----- | 1 |
| 37 | 48-165 | Plunger Regulating Bell Crank, small ----- | 1 |
| 38 | 18-416 | Set Screw ----- | 1 |
| 39 | 4115-72-4 | Feed and Plunger Bearing Block, complete ----- | 1 |
| 40 | 4121-3 | Plunger Frame ----- | 1 |
| 41 | 1306 L | Screw ----- | 1 |
| 42 | 16-352 | Plunger Shaft Bushing ----- | 1 |
| 43 | 16-366 | Plunger Rocker Shaft Bushing ----- | 1 |
| 44 | 478-23 | Ball Bearing, complete with washers ----- | 1 |
| 45 | 115-139 | Plunger Regulating Block ----- | 1 |
| 46 | 21-403 | Plunger Crank Spring ----- | 3 |
| 47 | 1273 L | Feed Spring Slide Block ----- | 1 |
| 48 | 1279 L | Screw, for No. 4115-72 ----- | 3 |



PRESSER FEET

| <u>Ref. No.</u> | <u>Part No.</u> | <u>Description</u> | <u>Amt. Req.</u> |
|-----------------|-----------------|---|------------------|
| 1 | 405-14 | Presser Foot, complete, for Style 43-240, for medium weight material ----- | 1 |
| | *405-13 | Presser Foot, complete, for Style 43-240, for light weight material ----- | 1 |
| | *405-15 | Presser Foot, complete, for Style 43-240, for heavy weight material ----- | 1 |
| 2 | 5-14 | Presser Foot Bottom, for presser foot No. 405-14- | 1 |
| | 5-13 | Presser Foot Bottom, for presser foot No. 405-13- | 1 |
| | 5-15 | Presser Foot Bottom, for presser foot No. 405-15- | 1 |
| 3 | CS453 | Cloth Retaining Spring ----- | 1 |
| 4 | 1351 L | Screw----- | 3 |
| 5 | 475-73 | Edge Guide, for presser feet Nos. 405-13, 405-14- | 1 |
| | CS504 | Edge Guide, for presser foot No. 405-15 ----- | 1 |
| 6 | CS615 | Needle Guide ----- | 1 |
| 7 | FP549 A | Presser Foot, complete, for Style 43-250, for light and medium weight material ----- | 1 |
| 8 | FP549 | Presser Foot Bottom ----- | 1 |
| 9 | FP555 | Hinge Screw ----- | 1 |
| 10 | FP560 | Retaining Spring ----- | 1 |
| 11 | FP556 | Screw Stud----- | 1 |
| 12 | FP550 | Crown ----- | 1 |
| 13 | FP559 | Spring ----- | 1 |
| 14 | FP558 | Adjusting Nut ----- | 1 |
| 15 | 1351 L | Screw----- | 1 |
| 16 | CS615 | Needle Guide ----- | 1 |
| 17 | CS455-2 A | Presser Foot, complete, for Style 43-270, small opening for light, medium and heavy weight material-- | 1 |
| | *CS456-1 A | Presser Foot, complete, for Style 43-270, large opening for extra heavy weight material ----- | 1 |
| 18 | CS455-2 | Presser Foot Bottom, for presser foot No. CS455-2 A----- | 1 |
| | CS456-1 | Presser Foot Bottom, for presser foot No. CS456-1 A ----- | 1 |
| 19 | CS453 | Cloth Retaining Spring ----- | 1 |
| 20 | 75-245 | Guide ----- | 2 |
| 21 | 1058 L | Screw----- | 3 |
| 22 | 50-275 | Bracket, for guide No. 75-245----- | 1 |
| 23 | 1351 L | Screw----- | 1 |
| 24 | CS615 | Needle Guide ----- | 1 |

* Not furnished with machine, order as extra send and charge item.

NUMERICAL INDEX OF PARTS

| Part No. | Page No. | Part No. | Page No. | Part No. | Page No. |
|------------|----------|-----------|----------|-------------|----------|
| 3-91 | 17 | 32-277 | 17 | 405-13 | 27 |
| CS3 A | 19 | 40-112 | 21 | 405-14 | 27 |
| 4-136 | 17 | 40-113 | 21 | 405-15 | 27 |
| 4-137 | 17 | 40-139 | 17 | 413 | 17 |
| 5-13 | 27 | 41-55 | 15 | 418-1026 | 17 |
| 5-14 | 27 | 44-301 | 17 | CS421 | 23 |
| 5-15 | 27 | 45-422 | 17 | CS422 | 23 |
| CS6 | 21 | 46-94 | 25 | 423-329 | 25 |
| 8-139 | 15 | 48-165 | 25 | CS423 | 23 |
| 14-326 | 23 | 48-166 | 17 | CS424 | 23 |
| 14-472 | 17 | 48-168 | 25 | CS424 A | 23 |
| 14-508 | 17 | 50-262 | 17 | CS424 A-1/2 | 23 |
| 16-352 | 25 | 50-263 L | 17 | CS427 | 15 |
| 16-354 | 17 | 50-275 | 27 | CS428 | 15 |
| 16-356 | 17 | 51-26 | 17 | CS429 | 15 |
| 16-366 | 23, 25 | 57-45 | 23 | CS433 A | 19 |
| 16-379 | 17 | 61-33 | 15 | CS434 | 19 |
| 17-167 | 17 | 61-82 | 23 | CS435 | 19 |
| CS17 | 21 | 71-86 | 17 | CS436 | 19 |
| CS17 A | 21 | 75-245 | 27 | CS437 | 19 |
| 18-416 | 25 | 79-31 | 17 | CS438 | 19 |
| 18-533 | 25 | 115-139 | 25 | CS439 | 19 |
| 18-745 | 25 | 125-23 | 15 | CS441 A | 19 |
| 18-748 | 23 | 149-30 | 17 | CS442 A | 15 |
| 18-902 | 19 | CS203 | 21 | CS443 | 15 |
| 18-955 | 17 | CS206 | 15 | CS444 | 15 |
| 18-959 | 17 | CS214 | 21 | CS445 | 15 |
| 18-998 | 17 | CS216 | 21 | CS446 | 21 |
| 18-1027 | 25 | CS222 | 21 | 448-75 | 23 |
| 18-1028 | 17 | CS228 | 21 | CS448 | 15 |
| 18-1030 | 17 | CS232 | 15 | 449-32 | 23 |
| 18-1045 | 17 | LS299 | 17 | 449-33 | 23 |
| 20-34 | 17 | LS301 | 23 | CS449 | 25 |
| LS20 A | 23 | CS307 | 19 | CS451 | 19 |
| 21-176 | 15 | CS308 | 19 | CS453 | 27 |
| 21-237 | 17 | CS311 1/2 | 21 | CS454 | 15 |
| 21-255 | 25 | CS312 | 21 | CS455-2 | 27 |
| 21-403 | 25 | CS313 | 15, 17 | CS455-2 A | 27 |
| 21-404 | 17 | LS314 | 15 | CS456-1 | 27 |
| 22-148 | 17 | CS316 | 21 | CS456-1 A | 27 |
| 22-C214-2 | 17 | CS317 | 21 | CS462 | 21 |
| 22-C214-4 | 17 | CS317 1/2 | 21 | CS463 | 15 |
| 22-296 | 17 | CS319 | 19 | CS466 A | 15 |
| 22-297 | 25 | CS320 | 23 | CS467 | 15 |
| 22-301 | 17 | CS320 1/2 | 15, 23 | CS468 | 15 |
| 23-329 | 25 | CS324 | 15 | CS469 | 15 |
| 24-285 | 25 | CS327 | 19 | CS471 A | 15 |
| 24-316 | 25 | CS335 | 21 | 475-73 | 27 |
| 26-178 | 25 | CS337 | 19 | 478-11 | 23 |
| 29-123 1/2 | 19 | LS395 | 21 | 478-23 | 23, 2 |
| 29-134 1/2 | 19 | LS398 | 17 | CS502 | 21 |
| 30-78 | 19 | CS401 | 21 | | |

NUMERICAL INDEX OF PARTS

| Part No. | Page No. | Part No. | Page No. | Part No. | Page No. |
|-----------|----------|----------|--------------------|------------|----------|
| CS503 BA | 21 | 1020 L | 23 | 1270 L | 23 |
| CS503-1/2 | 21 | 1022 L | 21, 23 | 1271 L | 23 |
| FP503 | 15 | 1025 L | 15, 17, 21 | 1272 L | 23 |
| CS504 | 27 | 1027 L | 23 | 1273 L | 25 |
| FP505 | 17 | 1029 L | 19, 23 | 1279 L | 25 |
| FP506 | 25 | 1055 L | 17, 23 | 1281 L | 23 |
| FP521 | 21 | 1058 L | 27 | 1283 L | 23 |
| FP522 | 21 | 1081 L | 15, 17 | 1284 L | 21, 23 |
| FP525 | 21 | 1132 L | 15 | 1288 L | 23 |
| FP526 | 21 | 1132 SL | 15 | 1291 L | 23 |
| FP527 | 21 | 1134 L | 15 | 1292 L | 23 |
| FP528 | 21 | 1137 L | 17 | 1293 L | 23 |
| FP529 | 21 | 1147 L | 23 | 1294 L | 23 |
| FP530 | 21 | 1160 L | 15, 17, 19, 21, 25 | 1295 L | 23 |
| FP535 | 21 | | | 1298 L | 25 |
| FP539 | 25 | 1173 L | 17 | 1304 L | 25 |
| FP549 | 27 | 1183 L | 15 | 1306 L | 25 |
| FP549 A | 27 | 1185 L | 15 | 1310 L | 25 |
| FP550 | 27 | 1192 L | 17 | 1310 SL | 25 |
| FP555 | 27 | 1204 L | 23 | 1311 L | 21, 25 |
| FP556 | 27 | 1206 L | 23 | 1321 L | 17 |
| FP558 | 27 | 1208 L | 23 | 1329 L-1/2 | 15 |
| FP559 | 27 | 1210 L | 23 | 1333 L | 23 |
| FP560 | 27 | 1211 L | 23 | 1351 L | 27 |
| FP563 | 25 | 1212 L | 23 | 1405 L | 17 |
| FP563 A | 25 | 1213 L | 23 | 1413 L | 25 |
| CS605 | 23 | 1214 L | 23 | 1414 L | 25 |
| CS606 | 19 | 1219 L | 15 | 1415 L | 25 |
| CS608 | 21 | 1220 L | 15 | 1417 AL | 25 |
| CS615 | 27 | 1221 L | 15 | 1667 L | 25 |
| CS616 | 19 | 1243 L | 23 | 1669 L | 25 |
| 652-16 | 17 | 1244 L | 23 | 1671 L | 25 |
| 660-168 | 17 | 1248 AL | 25 | 1672 L | 25 |
| 660-240 | 17 | 1249 L | 25 | 1677 AL | 25 |
| 876 L | 15 | 1254 L | 25 | 4115-72-4 | 25 |
| 888 L | 19 | 1256 L | 25 | 4121-3 | 25 |
| 1003 L | 15 | 1259 AL | 25 | 4129-18 | 17 |
| 1005 L | 23 | 1260 L | 25 | 4149-30 | 17 |
| 1009 L | 23 | 1261 L | 25 | 21201 | 17 |
| 1014 L | 21 | 1262 L | 25 | 22508 | 17 |
| | | | | 22652 F-12 | 17 |



FINEST QUALITY

Union Special®

LEWIS and COLUMBIA

INDUSTRIAL SEWING MACHINES



SALES OFFICES AND REPRESENTATIVES

†Handle Union Special and Columbia only.

‡Handle Lewis and Columbia only.

All others handle Union Special, Lewis and Columbia with certain exceptions.

UNITED STATES

- ALABAMA 35206, BIRMINGHAM, 732-84th Street, South, Lloyd D. Baldwin, Tel. 833-9904.
- ALABAMA 36107, MONTGOMERY, 3223 Willow Lane Dr., (Zip Code 36110), Tommy Hendrix, Tel. 272-6667.
- ARKANSAS 72203, LITTLE ROCK, P.O. Box 1783, James T. Taylor, Tel. (501) 376-3121.
- *CALIFORNIA 90021, LOS ANGELES, 1100 E. Pico Blvd., Paul M. Mason, Mgr., Tel. Madison 5-5828.
- CALIFORNIA 94110, SAN FRANCISCO, 3420-25th Street Robert J. Vail, Tel. 415/826-5969.
- †CALIFORNIA 94103, SAN FRANCISCO, Apparel City Sewing Machine Co., 1155 Mission St., Tel. Market 1-6660.
- COLORADO 80002, ARVADA, Casey's Sewing Machine Service, 5719 Reed St., Tel. 424-6630.
- CONNECTICUT 06811, DANBURY, 22 Barnum Road, Robert W. Gaines, Tel. 746-3652.
- FLORIDA 33127, MIAMI, 2525 N.W. 2nd Ave., Trimco Sewing Equipment, Inc., Tel. 633-1138.
- FLORIDA 33566, PLANT CITY, 506 N. Gordon St. James C. Morgan, Tel. 752-1829.
- *GEORGIA 30324, ATLANTA, 2120 Plasters Bridge Road, N.E., Merrill M. Ambrose, Mgr., Tel. 878-9237.
- GEORGIA 30529, COMMERCE, Lakeview Drive, J. Tom Hanley, Tel. 335-4061.
- GEORGIA 30030, DECATUR, 1713 Coventry Road, Joe V. Parker, Tel. 377-5559.
- GEORGIA 31021, DUBLIN, 1615 Knox St., John W. Jones, Tel. 272-4663.
- GEORGIA 30501, GAINESVILLE, RFD #1, John Bradberry, Tel. Cumming, Ga. 887-4732.
- GEORGIA 30680, WINDER, 508 Fifth Ave., B. D. Smith, Tel. 867-3208.
- *ILLINOIS 60610, CHICAGO, 400 N. Franklin St., Fred L. Koehler, Mgr., Tel. 644-6920.
- KANSAS 66208, KANSAS CITY (PRAIRIE VILLAGE) 7351 Rosewood, Cleo C. Smith, Tel. HE 2-1705.
- KENTUCKY 40207, LOUISVILLE, P.O. Box 7261, Raymond E. Hinton, Tel. 587-0042.
- LOUISIANA 70458, NEW ORLEANS (SLIDELL) 275 Palm Springs Drive, Duane Bunger, Tel. 504/643-2484.
- MARYLAND 21215, BALTIMORE, P.O. Box 2505, Ralph B. Foster, Tel. 727-8499.
- †MARYLAND 21204, BALTIMORE, J. Dashew, Inc., 417 W. Baltimore St., Tel. LExington 9-1838.
- *MASSACHUSETTS 02111, BOSTON, 179 Lincoln St., William E. Palm, Mgr., Tel. Liberty 2-0147.
- MASSACHUSETTS 02021, CANTON, York St., RFD, Roy T. Pedersen, Tel. 828-1412.
- MASSACHUSETTS 02767, TAUNTON, P.O. Box #2 Raynham, Walter P. Godek, Tel. VanDyke 2-6149.
- MICHIGAN 48223, DETROIT, 14561 Auburn, John Joyce, Tel. 313-384-4210.
- MINNESOTA 55426, MINNEAPOLIS, 2800 Texas Ave., St. Louis Park, Minn., Leonard W. Koehler, Tel. 644-6236.
- MISSISSIPPI 39209, JACKSON, 327 Eastview St., Jamie A. Boyette, Tel. Fleetwood 5-1976. Larry Lancaster, P.O. Box 1427 (Tupelo) 38801, Tel. 601/842-7650.
- †MISSOURI 64105, KANSAS CITY, Textile Machinery Co., 915 Broadway, Tel. Victor 2-9558.
- MISSOURI 63114, ST LOUIS, 9022 Pallardy Lane, Carl E. McLaughlin, Tel. Chestnut 1-2368. 8725 Warner (Zip Code 63117), also Jerry Hicks.
- †NEW HAMPSHIRE 03060, NASHUA, P.O. Box 257, Herman E. Haberman Jr., Tel. Tuxedo 2-9698.
- †NEW JERSEY 07032, NORTH ARLINGTON, 32M Garden Terrace, Joseph Logiisci, Tel. 991-8211.
- †NEW JERSEY 07010, RUTHERFORD, 246 Sylvan St., Richard W. Whitson, Tel. Geneva 8-2178.
- NEW JERSEY 08091, WEST BERLIN, P.O. Box 26, Frank A. Neff, Tel. 767-4350.
- NEW YORK 02110, LATHAM, 57 Sylvan Ave., Clarence A. Wheeler, Tel. 518-785-6371.
- NEW YORK 14502, MACEDON, 3 Jupiter Way, James Halbohm, Tel. 986-4693.
- *NEW YORK 10001, NEW YORK, 370 7th Ave., (Penn Terminal Bldg.), Clarence L. Rosenquist, Mgr., Tel. Chickerling 4-8800.
- †NEW YORK 14609, ROCHESTER, A. J. Adams Co., 1051 Culver Rd., Tel. BUiler 8-2250.
- NEW YORK 11553, UNIONDALE, 873 Henry St., Anthony Candell, Tel. Ivanhoe 3-7477.
- NORTH CAROLINA 27403, GREENSBORO, P.O. Box 226, William D. Harrod, Tel. 299-9367. 4216 Pennydale Dr., (Zip Code 27407), also Harold E. Miller, Tel. 292-0734.
- OHIO 44109, CLEVELAND, 4914 Pearl Road, Cut & Sew Equipment Co., Tel. 661-5901.
- OHIO 43216, COLUMBUS, P.O. Box 874, Larry Kelson, Tel. AXminister 1-1222.
- OKLAHOMA 73119, OKLAHOMA CITY, 2226 Southwest 53rd St., G. B. Wiley, Tel. 688-2836.
- OREGON, 97220, PORTLAND, 1950 N.E. 118th Ave. Robert E. Ritt, Phone: 503/771-2159 (Portland) 206/624-8083 (Seattle).
- PENNSYLVANIA 18105, ALLENTOWN, P.O. Box 542, Luther D. Cassell, Tel. 797-2111.
- PENNSYLVANIA 18015, BETHLEHEM, 1212 Camac St., Ed Deegan, Tel. 868-8204.
- PENNSYLVANIA 18003, BERWICK, 1013 E. 16th St., Donald McFadden, Tel. 752-2442.
- PENNSYLVANIA 18411, CLARKS SUMMIT, 428 West Grove Ave., John J. Laffer, Tel. JUNiper 7-2820.
- *PENNSYLVANIA 19124, PHILADELPHIA, 4234 Macalester Ave., Ben W. Merz, Mgr., Tel. Gladstone 5-9800.
- †PENNSYLVANIA 15670, NEW ALEXANDRIA, (Pittsburgh), R.D. No. 1, Box 26A, W. Dale Speer, Tel. (Pittsburgh) 563-3589, also R. N. Bates.
- PENNSYLVANIA 17567, REAMSTOWN, P.O. Box 176, David M. Bender, Tel. 267-6109, also F. J. Bartosic.
- PENNSYLVANIA 17404, YORK, P.O. Box 884, Harding T. Powell, 854-8040, also F. J. Bartosic.
- SOUTH CAROLINA 29204, COLUMBIA, P.O. Box 4246, Virllyn R. Crisler, Tel. Sunset 7-0863. P.O. Box 4112, also J. W. Carter, Tel. 254-4255.
- SOUTH CAROLINA 29607, GREENVILLE, 25 Sir Abbot St., Orville W. Gregory, Tel. Cedar 9-5539.
- TENNESSEE, 37421, CHATTANOOGA, 1711 Ray Jo Circle, John W. Carter 615-892-1489.
- TENNESSEE 37919, KNOXVILLE, 3905 Greenleaf Ave., Horace E. Clineard, Tel. 588-1865.
- TENNESSEE 38117, MEMPHIS, 4695 Dunn Rd., Richard J. Lindhorst, Tel. Mutual 5-6750.
- TENNESSEE 37214, NASHVILLE, 2517 Woodberry Drive, Felix M. Blunkall, Tel. 615-254-7338.
- *TEXAS 75247, DALLAS, 6718 Oakbrook Blvd., P.O. Box 47424, J. H. Muir Mgr., Tel. 214/637-5990.
- TEXAS 79926, EL PASO, P.O. Box 9573, Edward E. Smith, Tel. 598-2928.
- TEXAS 76106, FT. WORTH, 1201 Altamont Dr., Arnold Stierwalt, Tel. 626-3183.
- TEXAS 78213, SAN ANTONIO, Jerry Gregory, P.O. Box 13126, Tel. DI 2-5924.
- UTAH 84105, SALT LAKE CITY, 1215 E. 13th South St., Larry F. Rosvall, Tel. IN 7-6931.
- VIRGINIA 24006, ROANOKE, P.O. Box 1151, Tom Traylor, Tel. 703-342-3233, also P. C. Eble.

CANADA

UNION SPECIAL MACHINE Co. of Canada, Ltd.

- BRITISH COLUMBIA, N. BURNABY 2, James Murray, 1522 Madison Ave., Tel. MU 3-3917.
- MANITOBA, WINNIPEG 2, Frank Thierman, Rm. 201, Whitlo Bldg., 70 Arthur St., Tel. 204-943-4933.
- *ONTARIO, TORONTO 28, Peter Fowler, Mgr.-Rep., 355 King St. West, Tel. Empire 6-2939.
- *QUEBEC, MONTREAL 11, John Cacchetto, Mgr.-Rep., 9595 Charles de Latour St. Tel. 514/367-7191.

**FINEST
QUALITY
WORK**

**HIGHEST
PRODUCTION
RATES**

**LOWEST
MAINTENANCE
COSTS**

**Sales Agents For UNION SPECIAL Machines;
Also Agent for (L) LEWIS and (C) COLUMBIA where marked.**

AFRICA

(TEXTILE & BAG MAKING MACHINES) Berzack Bros., Ltd. REPUBLIC OF SOUTH AFRICA—JOHANNESBURG 135/7 Pritchard St. CAPE TOWN—78 Darling St. DURBAN—72 Commercial Road. PORT ELIZABETH—277 Main Street. RHODESIA, BULAWAYO—133 Fife St. SALISBURY—2 Barton House, Corner Stanley Ave. and Moffat St. (L) (BAG CLOSING MACHINES) South African Scale Co. Pty., Ltd. REPUBLIC OF SOUTH AFRICA—JOHANNESBURG—32 Van Brandis St. BLOMFOONTEIN—53 Zastron St. CAPE TOWN—Wales and Bree Sts. DURBAN—22 Allwal St. EAST LONDON—33-35 North Street, LADYSMITH, Natal—355 Murchison. PORT ELIZABETH—Box 611. Also at PIETERMARITZBURG, PRETORIA, VEREENING—288 Potgieter St. RHODESIA, BULAWAYO—2 Leander House, Rhodes Street. SALISBURY—95 Victoria Street, ZAMBIA—LUSAKA—W. & T. Avery (Zambia) Ltd., Corner Stanley Road & Congraton Street. ALGERIA, ALGIERS—Etablissement Ait Amer, 62 Boulevard Mohamed V. (L & C) ETHIOPIA, ASMARA—S.A. Calderan Africa, Avenue P. Asfaha Woosen (L & C) GHANA-ACCRA—Crown Industrial Enterprises Ltd., P.O. Box 3547 (L & C). IVORY COAST-ABIDJAN—Ets. Jean Abile-Gal, Box 1798. (L & C) KENYA, NAIROBI—Transcandia, Ltd., College House, Kairua St. (P.O. Box 5933) (L & C) (Also Uganda, Tanganyika and Zanzibar) MALAGASY REPUBLIC—TANANARIVE—Sec. Ind. Et Com. De L'Emyrne, Boite Postale 1078, 17 Rue Clemenceau (L & C) MAURITIUS, PORT LOUIS—(Bag Closing & Bag Making Machines) Hall, Geneva, Langlois, Ltd., 42 Sir William Newton St. MOROCCO, CASABLANCA—R. Geismann & Fils, Rue El Idrissi Es Sakali (L) NIGERIA, APAPA, LAGOS—Sunfag Knitting Mills (Nigeria) Ltd. 9 Warehouse Road. (L & C) SUDAN, KHARTOUM—Franco Pinto (Sudan) Ltd., P.O. Box 305. (L & C)

ASIA

CAMBODIA, PHOM-PENH—Denis Freres, 219 P.B. Sisowath, P.O. Box 48. (L & C) HONG KONG—G. R. Coleman Co. (Hong Kong) Ltd., Rm. 309, Marina House, 15 Queen's Road, Central. INDIA, CALCUTTA—Parrot Sewing Machine (P.) Ltd. 9/1 Sovaram Bypass St. G.P.O. Post Box 24. (L & C) JAPAN, OSAKA—Kondo Sewing Machine, Ltd., Umegae-Cho Kita-ku. (L) Branch—TOKYO. 3-6 Ginza Chuo-Ku 163. Also at Ashikaga, Fukui, Hokkaido, Nagoya, Niigata, and Okayama. LAOS, VIETIANE—Denis Freres, P.O. Box 133. (C & L) PAKISTAN, (WEST) KARACHI-2 (Textile Machines)—Universal Trading Corp., 29 Zameer Mansion, McLeod Road. (EAST AND WEST) (Bag closing and bag making machines) Thomas C. Keay, Ltd., 15 Baltic Street, Dundee, Scotland. REPUBLIC OF CHINA, TAIWAN, TAIPEI—G. R. Coleman Co. (Taiwan) Ltd., 16 Nan Yang St. (L & C) SINGAPORE 3—G. R. Coleman (Singapore) Ltd., No. 1-M Yang Siak St. Also all of Malaysia. (L & C) THAILAND, BANGKOK—Yip In Tsai & Co., Ltd., P.O. Box 23. (L & C) VIETNAM, SAIGON—Thai-Binh-Duong Cong-TY, 147 Rue. Trinh-Minh-The. (C & L)

AUSTRALIA

SOLE DISTRIBUTORS: Capron, Carter Pty., Ltd., 490 Kent Street, SYDNEY 2000. Branches at: BRISBANE—454 Brunswick St., Valley, N.I. MELBOURNE 3000—154 A Beckett St. AGENTS: SOUTH AUSTRALIA—ADELAIDE—William Charlick Ltd., London Road, Mile End. WESTERN AUSTRALIA PERTH—Thomson's Pty. Ltd., 789 Hay St. TASMANIA, LAUNCESTON—Sew Knit Pty. Ltd., 72-74 George St. (L & C)

EUROPE

AUSTRIA, VIENNA A-1061—Naeschuster Heinrich Schuster O.H.G., Mariahilferstr. 51, Postfach 77, (L) (C—except 100 NTN) BELGIUM, BRUSSELS—Union Special Machine Corporation of America, 90 Rue de la Caserne, Gustave Thierie, Mgr. (C) DENMARK, COPENHAGEN—Rothenborg Specialmaskiner for Sy-Industrien A/S, Nikolaj Plads 23. Offices at AALBORG, HERNING, KOLDING, ODENSE, RISSKOV-AARHUS AND SILKEBORG. (L & C) FINLAND, HELSINKI-LAUTASAARI—Suomen Koneille O/Y, Vatuunienkatu 13. Branches at TAMPERE-Pientaalisuosto. TURKU, Humalistenkatu 7-B. (L & C) FRANCE, PARIS—Cie. des Machines Union Special de France, 91 Ave. de la Republique—Thos. de Semylen, Directeur, Branches at: (59) LILLE 5 Residence Citoux, Parc Saint-Maur. LYON, VILLEURBANNE (RHONE) 82 rue Alexandre Boutin. TOULOUSE (HAUTE GARONNE) 9 Rue des Postes. (L & C) GERMANY, STUTTGART (7000)—Union Special Maschinenfabrik, G.m.b.H., Schwabstr. 32—Dr. K. Schulz, Managing Director. Th. M. Baanstro, Director of Sales, BRANCHES AT: BERLIN, BIELEFELD, EBINGEN, FRANKFURT, HAMBURG, KOLN, MUNCHEN, OCHTRUP. (L & C) GREAT BRITAIN—(Textile Machinery)—ENGLAND LE2 5LN—OADBY (NR. LEICESTER)—Union Special Machine Company, Ltd., Mandevell Road, Industrial Estate. Mr. J. C. Spencer, Manager. LEEDS—60 Merrion Street. LONDON—184-186 Old St. (A. W. J. Brownlee, Manager). SALES OFFICES: BRISTOL, L. J. Heard, 19 The Ride, Kingswood, SCOTLAND, MILNGAVIE (GLASGOW)—Derrick R. Robinson, 48 Clochbar Avenue. SUB-AGENTS: LONDON, W. 1—G. Johnson & Son (Sewing Machinery), Ltd., 58 Great Titchfield Street. MANCHESTER 19—S. A. Smith, (Manchester) Ltd., Park Grove Works, Levenshulme. NORTHERN IRELAND—BELFAST 15, Axtel Ltd. 186 Cavehill Road. SCOTLAND, GLASGOW S.E.—Allardice & Co., 9 Stevenson Street. (C) (Bag Closing and Bag Making Machines) SCOTLAND, DUNDEE—Thomas C. Keay, Ltd., 15 Baltic Street—Agent for entire British Isles. GREECE, ATHENS—Georges Yannekouras-Dimoulis, 30 Petraki St. (L & C) ICELAND, REYKJAVIK—Magnus Thorgerisson, Skolavordstiga 1a (L & C) IRELAND, DUBLIN—(Textile Machines) W. Blythman, 224 Parnell Street (L & C) (Bag Closing and Bag Making Machines) Thomas C. Keay, Ltd., 15 Baltic St., Dundee, Scotland. ITALY, I 20121 MILANO—Giovanni Conti & Nipoli, Via Varese 18. (L & C) MALTA, VALLETTA—Frank Borda & Sons, Ltd. 51/41 Zachary Street (L & C) THE NETHERLANDS, AMSTERDAM—N. V. Machinehandel C. & H. Verbeek, Kloveniersburgwal 77. Offices at: ARNHEM, ENSCHEDE, GRONINGEN, ROTTERDAM, SIT-TARD, TILBURG. (L & C) NORWAY, MANDLERUD—Jac. Jacobsen A/S, Enebakkveien 117. BERGEN—Bjornsgat 24. (C & L) PORTUGAL, OPORTO—Rost & Janus, Succs. Lda., Rua Barao de Forrester 914. (L) SPAIN, BARCELONA—Rapida, S. A., Via Layetana 37. (L & C) SWEDEN, GOTEBOG 5—Jac. Jacobsen A/B, Malmdalsvagen 91. Branch at: BORAS, Lunnegaten 4. Also in MALMO and STOCKHOLM. (L) SWITZERLAND, URDORF (ZH) 8902—Bourquin & Cie., Vogel-austr. (L-Button-Sewer) YUGOSLAVIA, KIRCHEIM (7312)—Josef Scharzer Bosslerstr 33. (L & C)

LATIN AMERICA

ARGENTINA, BUENOS AIRES—Pamaco Costura S.A.C.I.y.F. San Jose 350. (Union Special Machine Company). (L & C) BOLIVIA—Lawnstein & Stewart, S.A.C., Calle Santa Domingo 1140, Santiago, Chile. (L & C) BRAZIL, SAO PAULO—Pancostura S.A.—Industria e Comercio, Alameda, Cleveland, 444. Branches at PORTO ALEGRE—Rua Voluntarios da Patria 533; RECIFE—Rua Princesa Isabel 105; RIO DE JANEIRO—Rua Alexandre Mackenzie 117. (C & L) CHILE, SANTIAGO—Lawnstein & Stewart, S.A.C., Calle Santa Domingo 1140. (L & C) COLOMBIA, BOGOTA—Macaizado, Mercantil, S.A., Carrera 30 #12-99. Branches at BARRANQUILLA—Carrera 45-B #34-54. BUCARAMANGA—Calle 34 #17-45. CALI—Carrera 7 #13-33/35. MANIZALES—E. Breslauer, Carrera 22 #18.44. MEDELLIN—Carrera 51, #6-18. (L & C) COSTA RICA, SAN JOSE—Enrique Rodriguez S., P.O. Box 1949. (L & C) DOMINICAN REPUBLIC, SANTA DOMINGO—Roberto Dominquez, G., Calle Dr. Pedro Urena 19. (L & C)

ECUADOR, GUAYAQUIL—Distribuidora Richard O. Custer, S.A., Malacan Simon Bolivar #2308. Branch at QUITO—Avenida Patria 768. (L & C) EL SALVADOR, SAN SALVADOR—Distribuidora Union Special de El Salvador, Colonia Valra. (L) GUATEMALA, GUATEMALA—Union Textil Gunter Henning & CIA., LTDA., 8a Avenida 10-43, Zona 1 (L & C) HONDURAS, SAN PEDRO SULA—Jacobo E. Mandel, P.O. Box 559. TEGUCIGALPA—Carlos Handal, P.O. Box 517. (L & C) MEXICO, MONTERREY, N.L.—Talleres Perez Zozayo, S.A. de C.V., Cuauhtemoc Norte 335. Branches at: GUADALAJARA, JAL.—Hidalgo 45 y 47; MEXICO, D.F.—Distribuidora Union Especial, S.A. de C.V., Ave. Pino Suarez 99-a (Apartado 26070); SAN LUIS POTOSI, S.L.P.—J. de los Reyes 80. (L) NICARAGUA, MANAGUA—Casa Hentgen, 3A Calle N.O. #303. (L) PANAMA, PANAMA—International de Comercio, S.A., Banco de Colombia Building, P.O. Box 1275. PERU, LIMA, Breña—United Agencies, S.A. (Peru) Av. Alfonso Ugarte 1445-1447. (L & C) PUERTO RICO, SAN JUAN—Abarca Warehouse Corp., P.O. Box 2352. (L & C) SURINAM, PARAMARIBO—Kirpalani's, Ltd., 17-27 Maagden St. (L & C) URUGUAY, MONTEVIDEO—Storer & Cia., S.A., Uruguay, Mercedes 1312. (L) VENEZUELA, CARACAS—H. Blohm, S.A., Dr. Paul A. Chorro 29. (L)

NEAR EAST

CYPRUS, NICOSIA—Christodoulides Bros. & Co., 94 Tri-couppis St. (L) IRAN, TEHRAN—Sava Trading Corp., Ave. Bazarjamehri 881 P.O. Box 1720. Seray Saadiyeh. (L & C) IRAQ, BAGHDAD—Sons of O. O. Agopian (IRAQ), P.O. Box 2021, Alwyah. (L & C) ISRAEL, TEL AVIV—L. Taube, Ltd., 15 Lilienblom St. (L) JORDAN—Bandar & Aractingi, B.P. 1144—Damas, Syria (L & C) LEBANON, BEIRUT—Ibrahim R. Audi & Cie., 11 Rue Patri-arche Hoyek. (L & C) SYRIA, DAMAS—Bandar & Aractingi, B.P. 1144. (L & C) TURKEY, ISTANBUL—M. Benmayor, Mahmutpasa Abut Efendi Han Nr. 46-47. (L & C) U.A.R., CAIRO—Mitr Import & Export Co., 6 Rue Adly-Tech. Sub-Agent—A. Kavaldjian, S.A.R.L., 200 Sharie Shubra. (L & C)

NEW ZEALAND

SOLE DISTRIBUTOR: H. A. Tuck & Co., Ltd., 171 Albert St. AUCKLAND. BRANCH AT WELLINGTON, Lees Bldg., Nelson St. (L) Also—New Caledonia, Cook Islands, Ellice Islands, Gilbert Islands, New Hebrides, Samoa (American), Tahiti, and Tonga. SUB-AGENTS: Glenfermid, Ltd., CHRIST-CHURCH—90 Orbell St. DUNEDIN—192 196 Castle St., P.O. Box 40. (C) FIJI SUVA—Karl R. Fleiselman, P.O. Box 602. (L) SAMOA (WESTERN), APIA—S. C. Percival, P.O. Box 204. (L)

PACIFIC ISLANDS

HAWAII, HONOLULU—Allsaw, Inc., 1892-D Kalakaua Ave. (Textile L & C). (Bag Closing and Bag Making Machines) H. S. Gray Co., 759 Puuioa Rd. PHILIPPINE ISLANDS, MAKATI, RIZAL—Atkins, Kroll & Co., Inc., 7232 Malugay Street, (Buendia Extension). Branch at CEBU. (L & C)

WEST INDIES FEDERATION, JAMAICA

JAMAICA, KINGSTON—Morris E. Parkin, 67 Church Street. (L) TRINIDAD, PORT OF SPAIN—Ackrill & Co., 17 Henry St. (L & C) Also—BARBADOS, GRENADA, TOBAGO.

Additional Sales Agents for (L) LEWIS and (C) COLUMBIA Machines

4-6B

AUSTRIA IV, VIENNA—Franz Koerpert & Sohne, K.G., Wiedner Hauptstrasse 36. (C) BELGIUM, BRUSSELS—N. V. Machinehandel C & H Verbeek, Kruisdrienvaan 57a, Buyl Bldg. (L) FRANCE, PARIS—Societe G. Arnon & Cie., 14 Rue Commines (L) GERMANY, KREFELD—Herbert Janssen, Alte Linnerstr. 104 (C. tie mach.) GREAT BRITAIN—ENGLAND, LONDON, E.C.2—Eastman Machine Company, Ltd., 128-132 Curtain Road. CROY-DON, 89 Beddington Lane. LEEDS—60 Merrion Street. MANCHESTER, 105-107A Corporation Street. SCOTLAND, GLASGOW 52—11 Drumroach Place, Torrylen. NORTHERN IRELAND, BELFAST 14—W. F. Maxwell, 20 Todburn Park. REPUBLIC OF IRELAND, DUBLIN—Wm. Blythman, Ltd., 223/4 Parnell Street. (L)

ISRAEL, TEL AVIV—Israel Sewing Machine Co., 22 Yehuda Halevy St. (C) MEXICO, MEXICO, D.F.—Casa Diaz de Maquinas de Caser, Av. Republic Del Salvador 89-93 (C) MOROCCO, CASABLANCA—Durkopp Coudrex, 25 Rue Bascu-nana. (C)

REPUBLIC OF SOUTH AFRICA, JOHANNESBURG—African Sewing Machine Company (Pty.) Ltd., 118 President Street. Branches at CAPE TOWN—110 Plain St.; DURBAN. (C) RHODESIA, FEDERATION OF RHODESIA & NYASALAND, BULAWAYO—African Sewing Machine Company (Rhodesia) (Pvt.) Ltd., 2 Leonidas House, 138 Rhodes Ave. (C) SWEDEN, BORAS—Husavarna, Industrismaskiner A/B—Katrinedalsgatan 13. Branches: GOTEBOG—Sihlbergsgatan 1 MALMO—Isak Sliktaregatan 9—DREBRO—Stortorget 19—STOCKHOLM—Brunnsgatan 6-8. (C) SWITZERLAND, ZURICH—Fritz Zellweger & Sohne, Sei-naustr. 27. (L, except Button Sewer) Guttinger A.G., Sihlstrasse 37. (C) URUGUAY, MONTEVIDEO—C. Brandes & Cia., S A. Calle Pincan 658-60. (C)



Union Special[®]
INDUSTRIAL SEWING MACHINES

UNION SPECIAL maintains sales and service facilities throughout the world. These offices will aid you in the selection of the right sewing equipment for your particular operation. Union Special representatives and service men are factory trained and are able to serve your needs promptly and efficiently. Whatever your location, there is a Union Special Representative to serve you. Check with him today.

ATLANTA, GA.

BOSTON, MASS.

CHICAGO, ILL.

DALLAS, TEXAS

LOS ANGELES, CAL.

NEW YORK, N. Y.

PHILADELPHIA, PA.

MONTREAL, CANADA

TORONTO, CANADA

BRUSSELS, BELGIUM

LEICESTER, ENGLAND

LONDON, ENGLAND

PARIS, FRANCE

STUTT GART, GERMANY

Representatives and distributors in all important industrial cities throughout the world.

Union Special

MACHINE COMPANY

400 N. FRANKLIN ST., CHICAGO, ILL. 60610